

Assembly guide

B4 Bed

B4 Bed V3



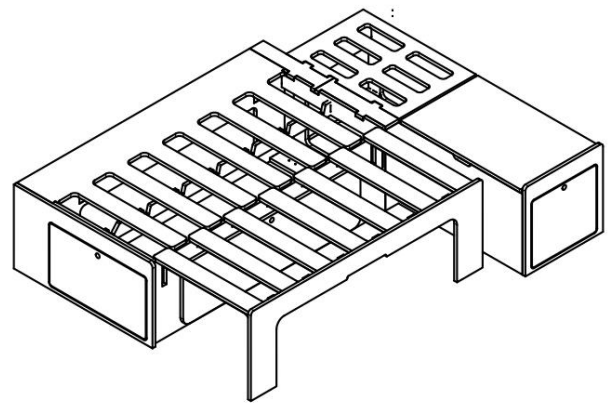
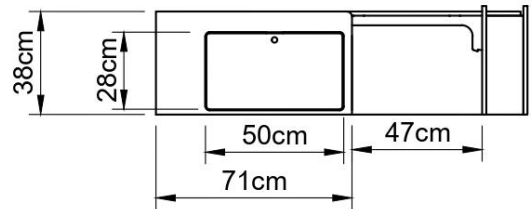
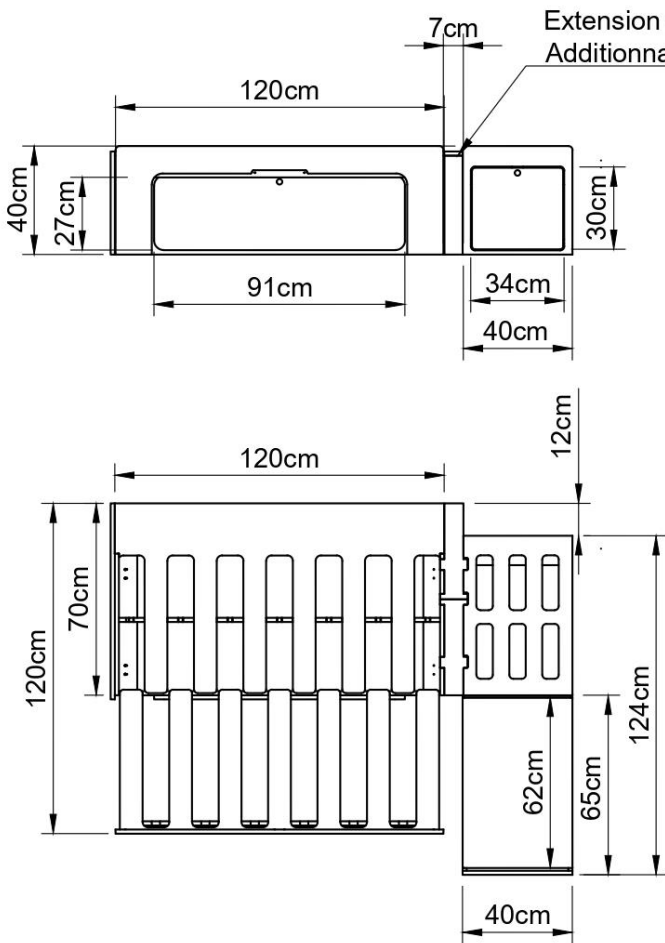
WELCOME ABOARD!

Let's assemble Your dream furniture and get you
on the road

LET'S GO!

Dimensions

If you have D6 or D7 drawers, please refer also to these instructions of those furniture's on the website : D7 Notice/ D8 Notice



Les dimensions sont arrondies à l'unité supérieure
The dimensions are rounded up to the nearest whole number.

SHOW OFF YOUR SKILLS & INSPIRE THE VANLIFE
COMMUNITY!

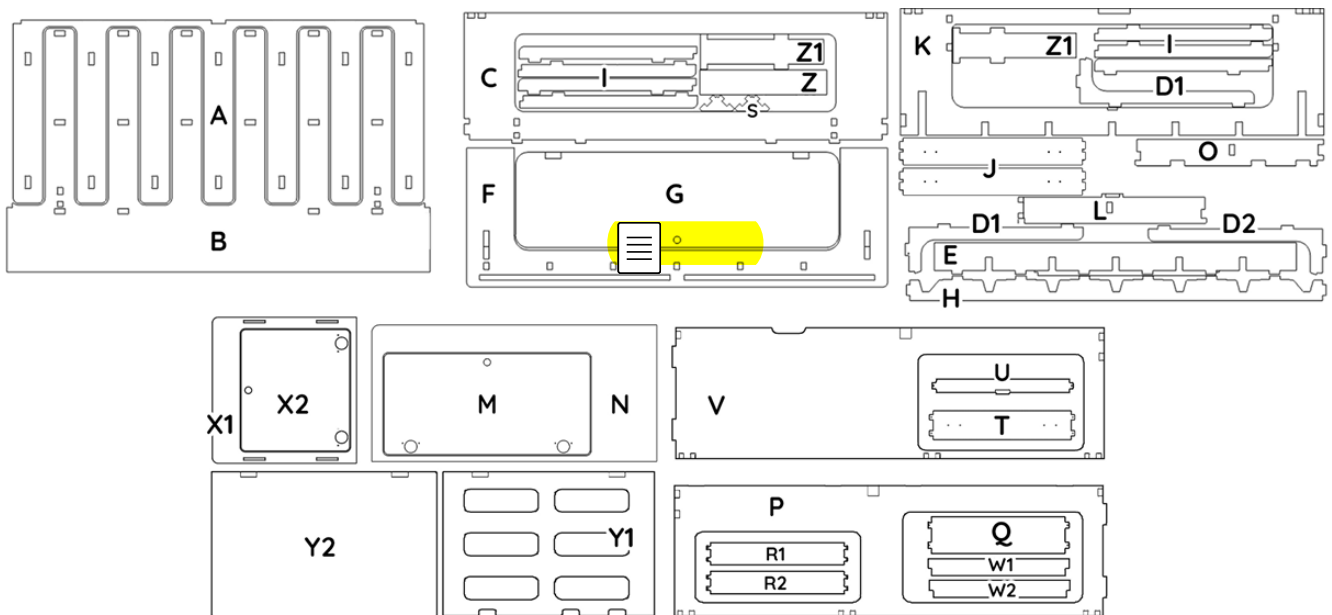
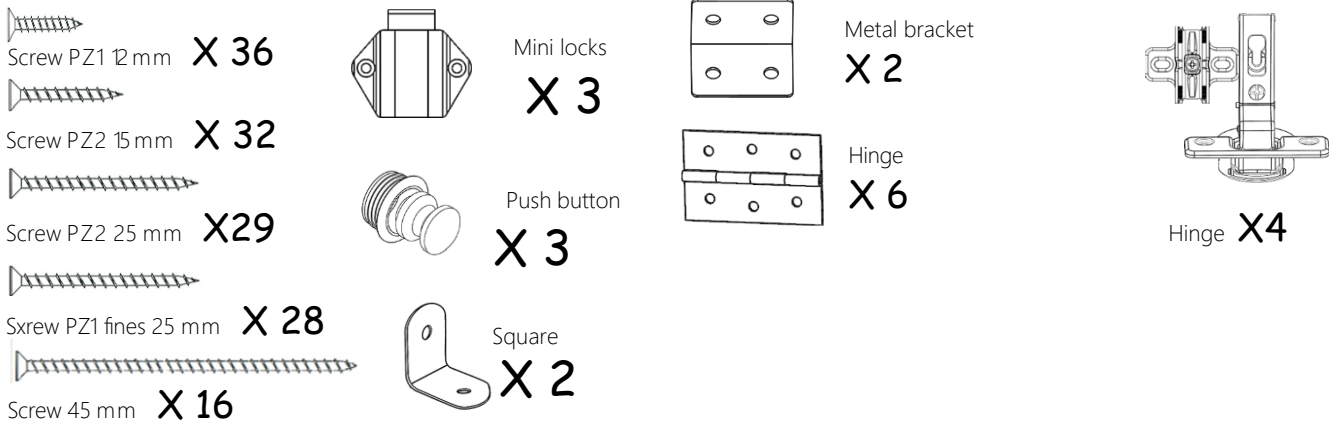
Share your build on Facebook, Instagram ou
TikTok #SimpleVansLife :
Best content wins awesome prizes.



Material required for assembly

- Masking tape
- Square (optionnal)
- PZ1 & PZ2 screwdriver
- Wood glue (slow-drying recommended)
- Damp cloth (or papel towel)
- Putty knife or ruler (for positioning hinges)
- Pencil

Package contents :



i In version B4 V3, part F have a handle to improve ergonomics. These are not visible in this manual, but the assembly principle remains exactly the same.

Read before assembling the furniture

- Check for chips in the grooves
- Check that the parts are free of defects before gluing/ or male a dry fitting
- Read the entire istructions carefully before final assembly with glue
- Wipe off excess glue with a damp cloth immediately after gluing each part
- Make any cuts(if necessary) before gluing the furniture
- Protec the surrounding areas of the gluing areas with masking tape to reduce cleaning

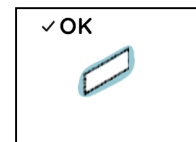
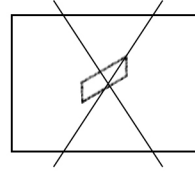
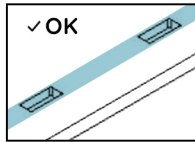
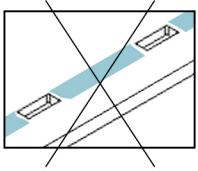
If you have a problem with a part or accessory please contact us by email: sav@simplevans.eu



Apply a sufficient amount of glue to the contact surfaces and grooves.

The glue should **slightly protrude from the grooves when assembled**.

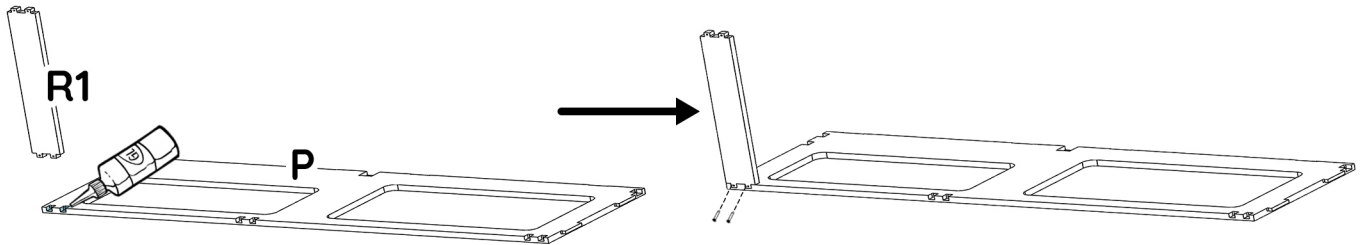
Wipe off excess glue with a damp cloth after assembly.



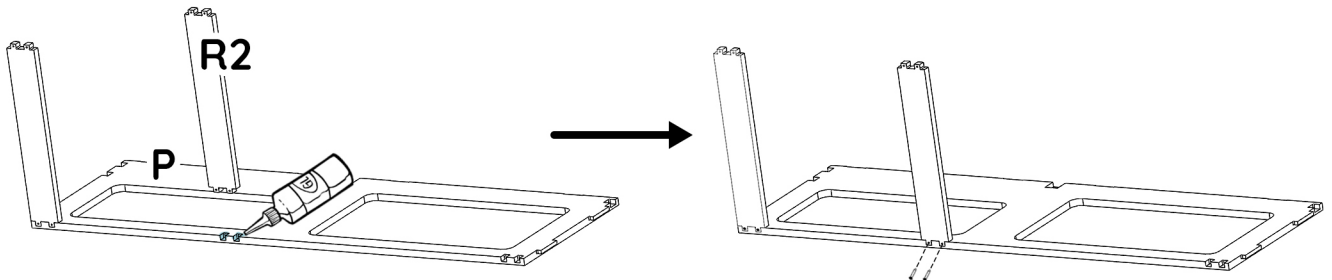
glue that slightly protrudes
after assembly

Step 1: Assembling the 40 cm Fixed Part

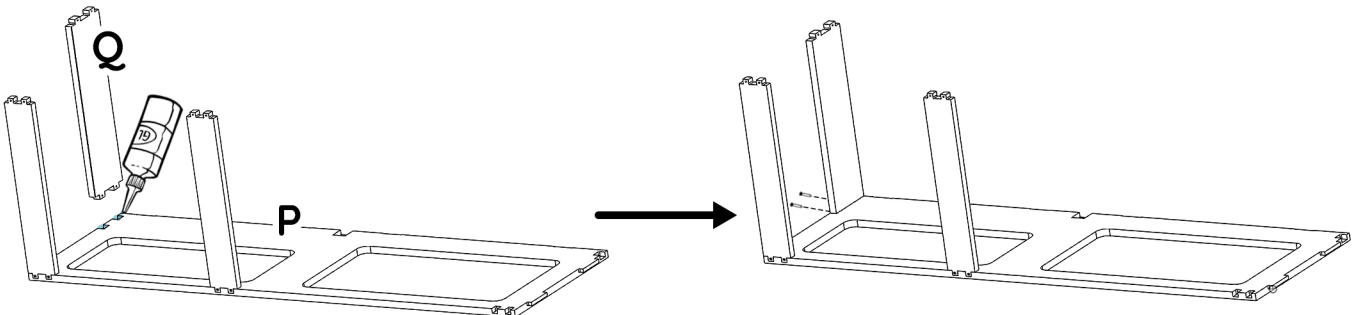
- 1 Apply wood glue and assemble piece **R1** to piece **P** using 2 small-diameter 25mm screws.



- 2 Apply wood glue and assemble piece **R2** to piece **P** using 2 small-diameter 25mm screws.



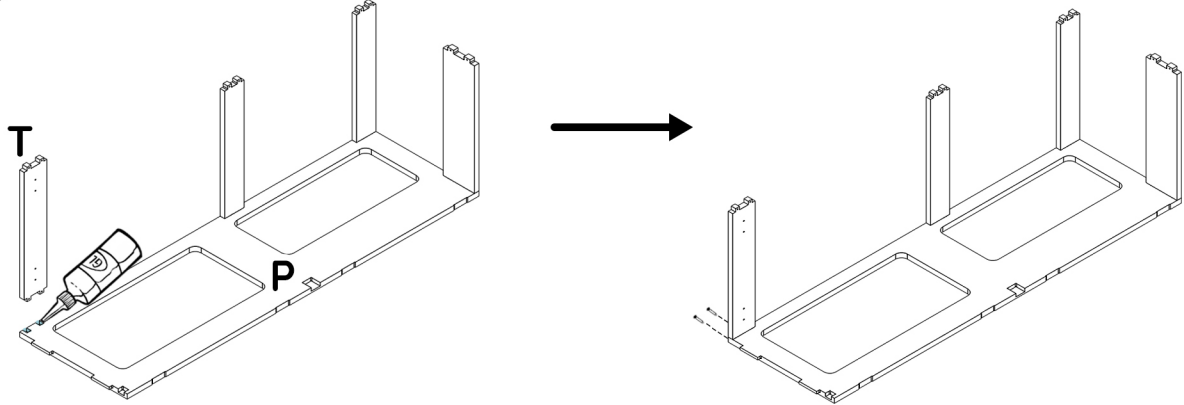
- 3 Apply wood glue and assemble piece **Q** to piece **P** using 2 small-diameter 25mm screws.



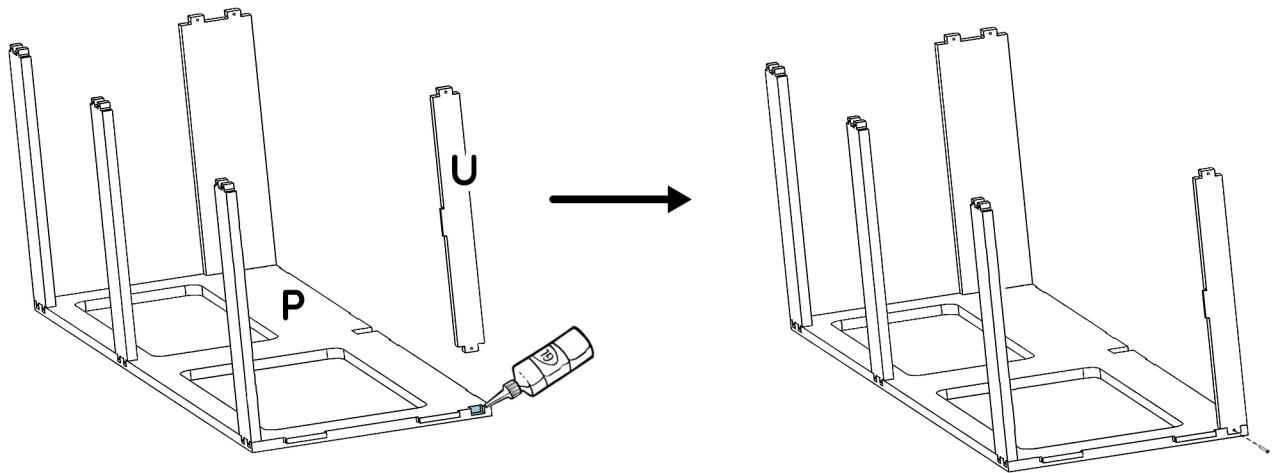
i You should have **glue overflowing the joints**.
Clean it up after each step.

Step 1: Assembling the 40 cm Fixed Part

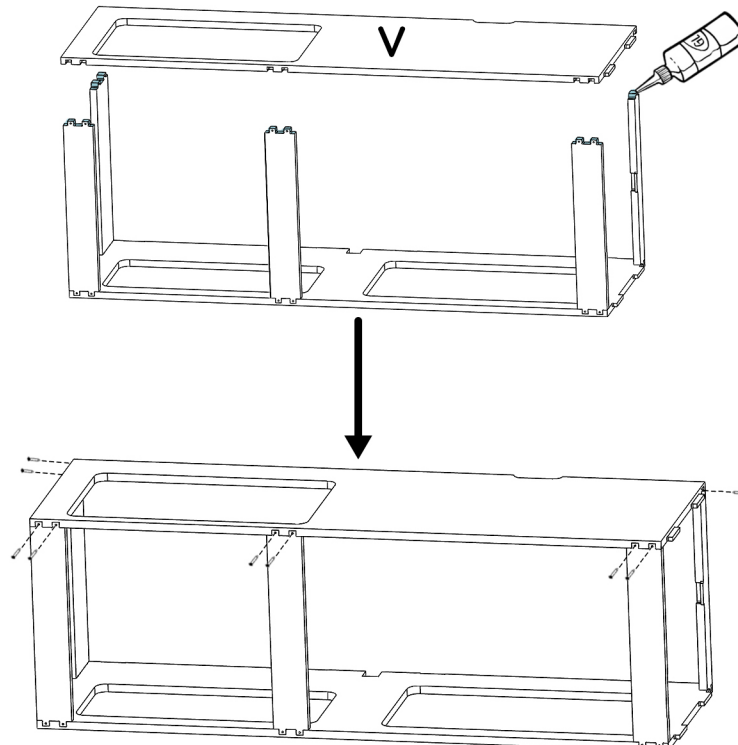
- 4** Apply wood glue and assemble piece **T** to piece **P** using 2 small-diameter 25mm screws.
Be sure to follow the orientation as shown below.



- 5** Apply wood glue and assemble piece **U** to piece **P** using 1 small-diameter 25mm screw.
Be sure to follow the orientation as shown below.

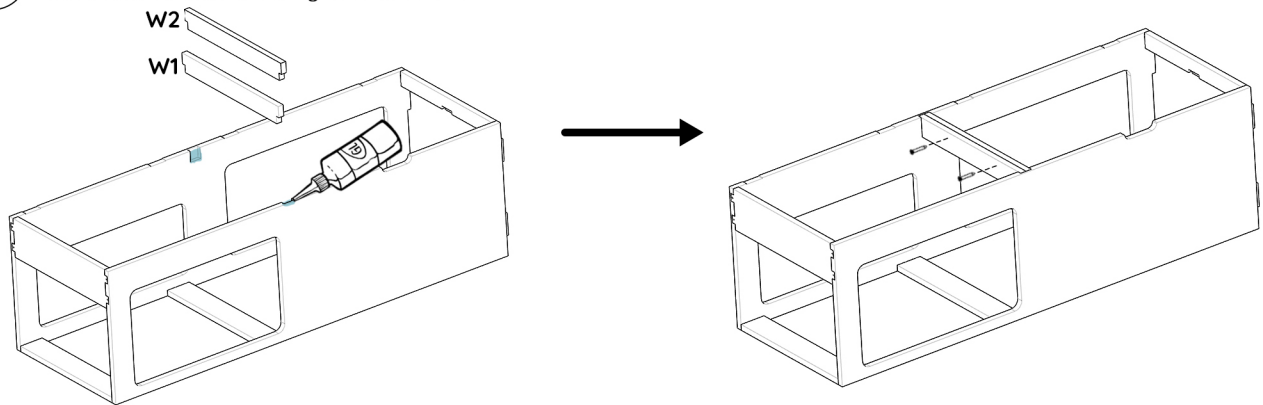


- 6** Apply wood glue to the ends of pieces **R1/R2/Q/T/U** and assemble them to piece **V**, then screw in the 9 small diameter 25mm screws.

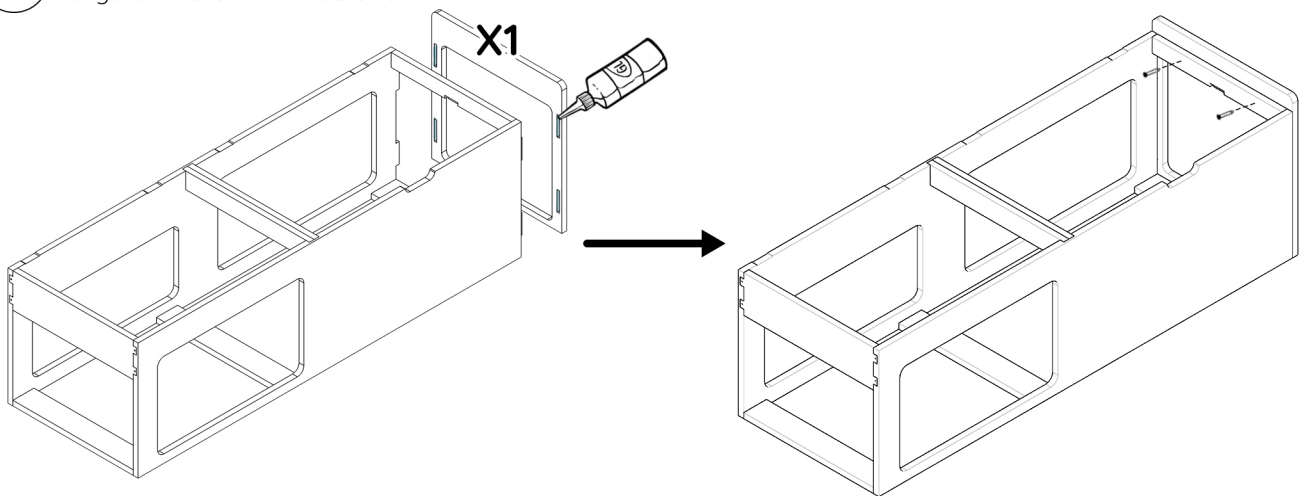


Step 1: Assembling the 40 cm Fixed Part

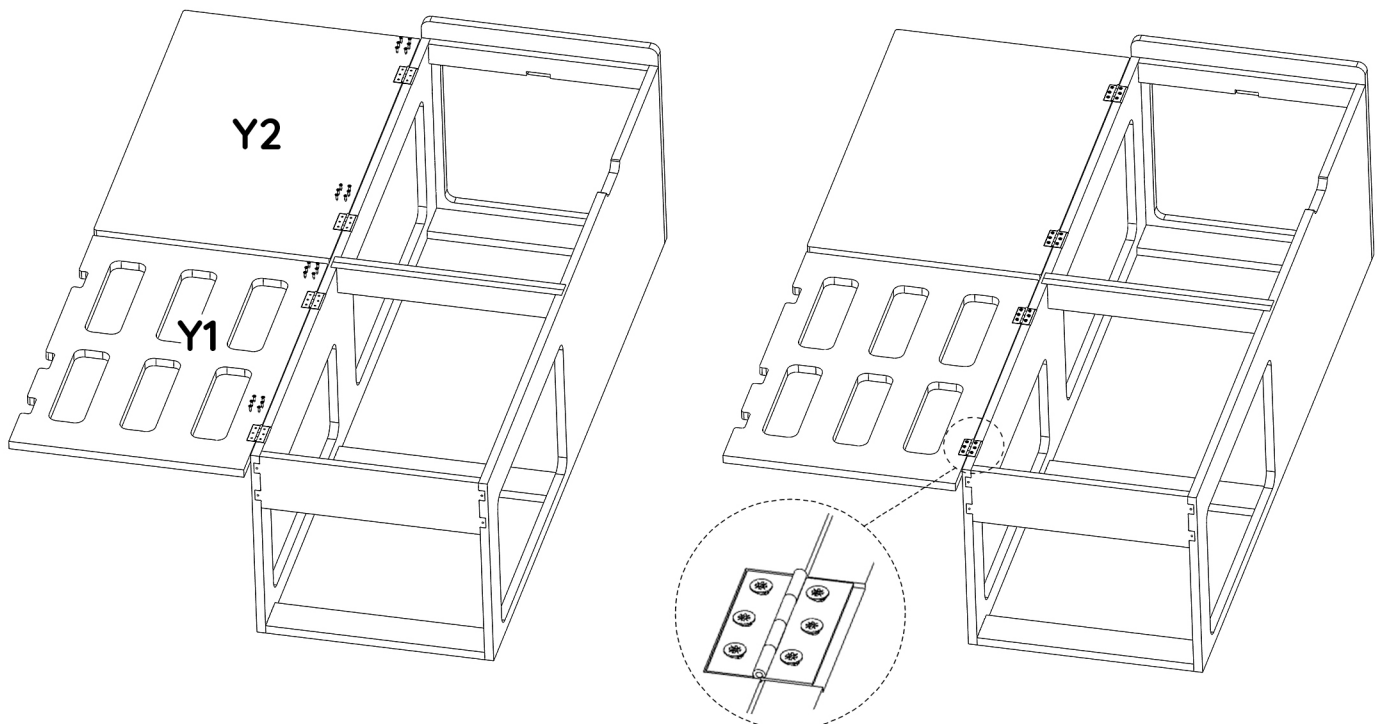
- 7** Appliquer de la colle à bois et assembler les pièces **W1** et **W2** avec le reste du meuble, puis les visser entre elles à l'aide de vis de 25 mm gros diamètre.



- 8** Apply wood glue and assemble piece **X1** to the rest of the furniture. Then secure the upper part with 2 large-diameter 25mm screws.



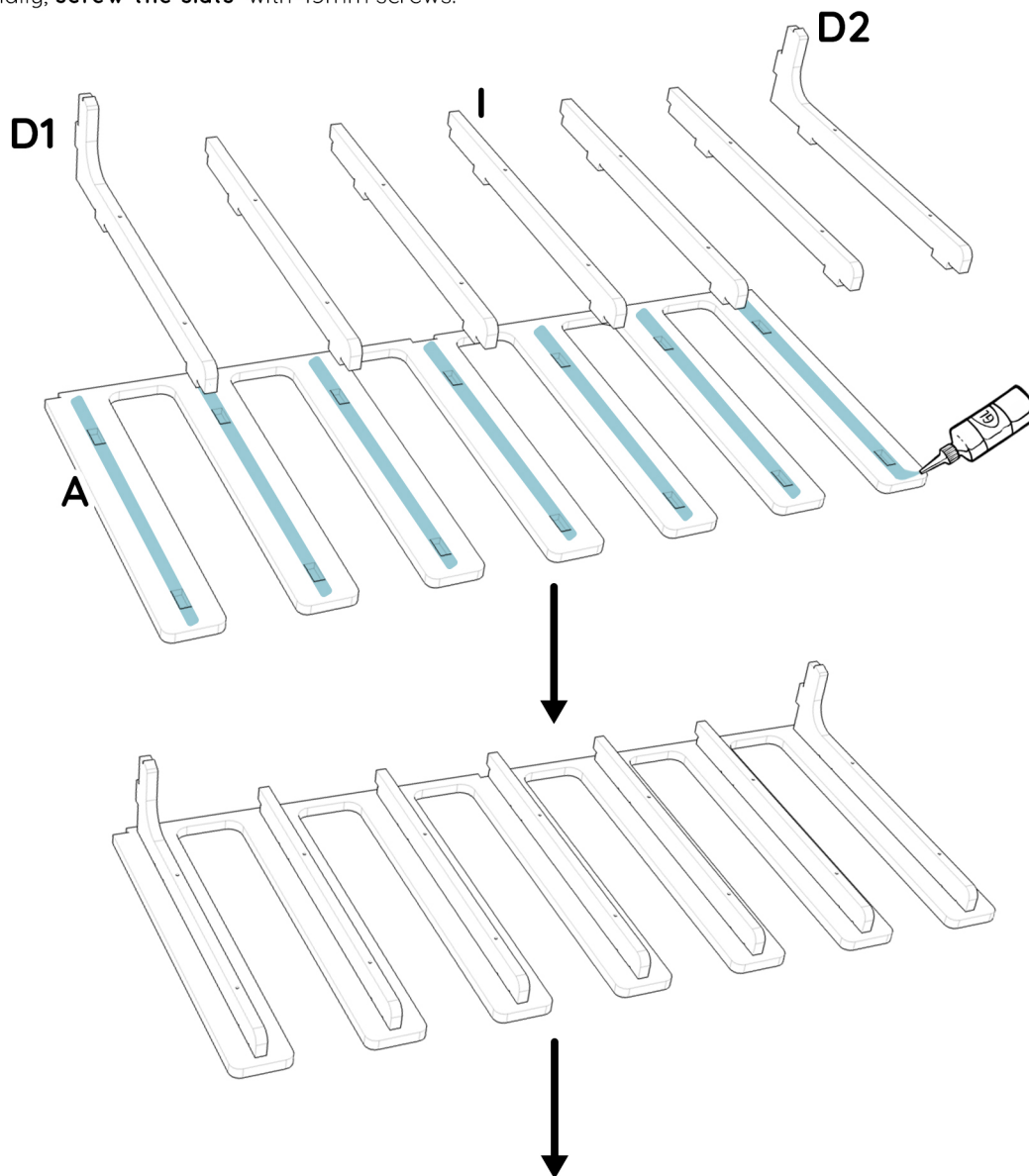
- 9** Position pieces **Y1** and **Y2** as shown below and screw the hinges into the designated locations using 12mm screws.



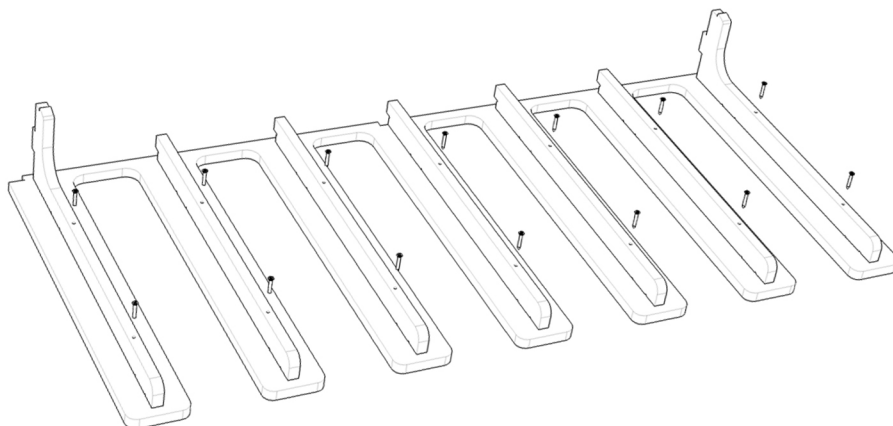


Step 2: Assembly of the sliding bed base, 120 cm part

- 1 Apply wood glue to piece **A**, then assemble the 2 slats **D1/D2** and the 5 slats **I** with piece **A**. Finally, **screw the slats** with 45mm screws.

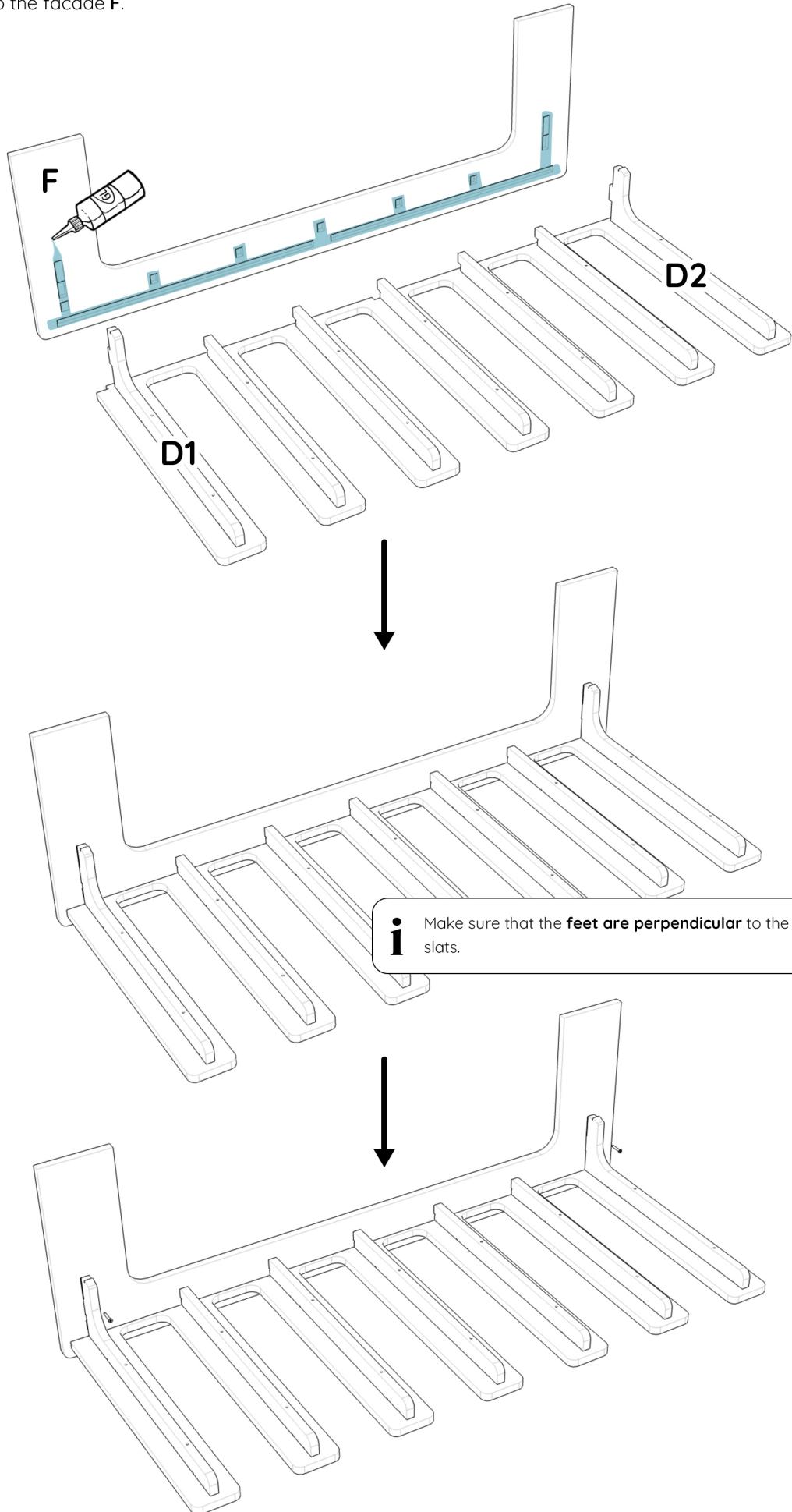


i The screws are used to hold the slats in place while the glue dries, so you can continue assembling the bed. It is the **glue that provides the strength of the bed**, not the screws. **Do not overtighten the screws**, as this could damage the wood. **Tighten the screws just enough for the glue to squeeze out of the joint.**



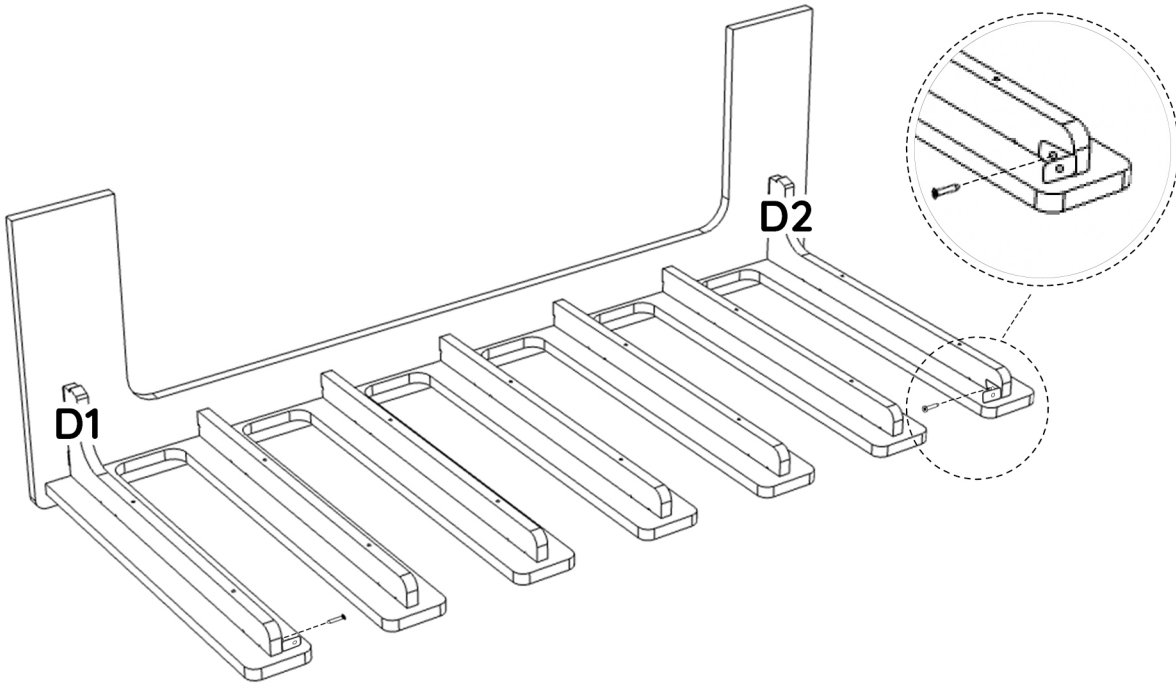
Step 2: Assembly of the sliding bed base, 120 cm part

- 2 Apply wood glue to part **F**, then assemble the bed base and the facade together. Finally, screw the slats **D1/D2** to the facade **F**.



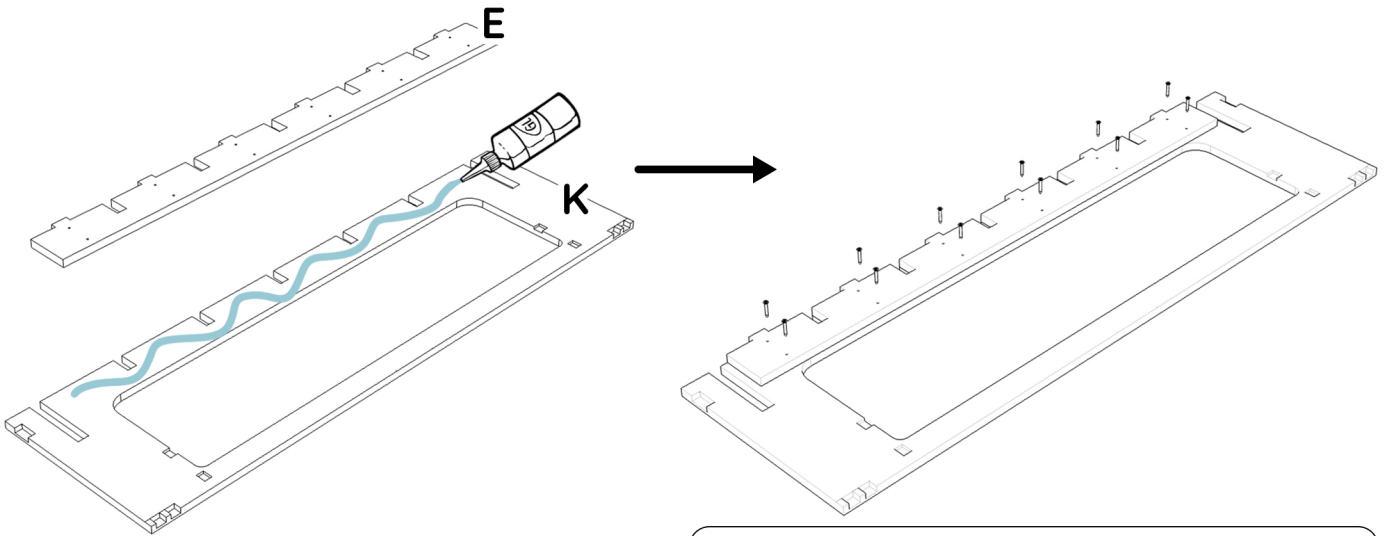
Step 2: Assembly of the sliding bed base, 120 cm part

3 Attach the 2 small brackets using 15mm screws to the inner edge of the outer slats D1 and D2.



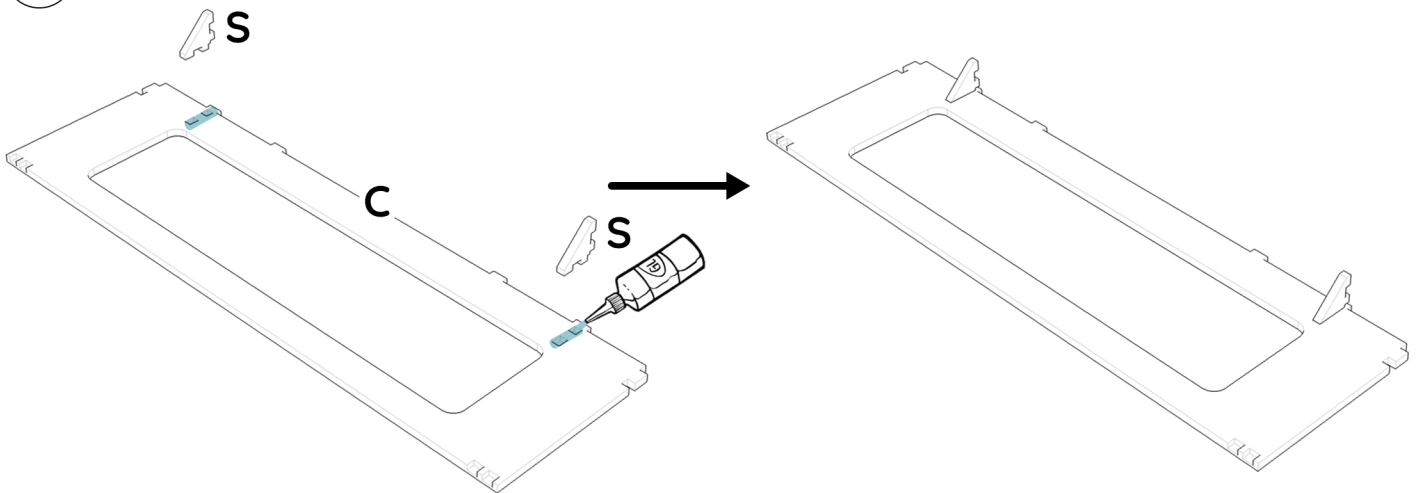
Step 3: Assembling the 120cm Fixed Part

- 1 Position, glue and align part **E** at the back of the facade **K** and **screw it** with 12 screws of length 25 mm.

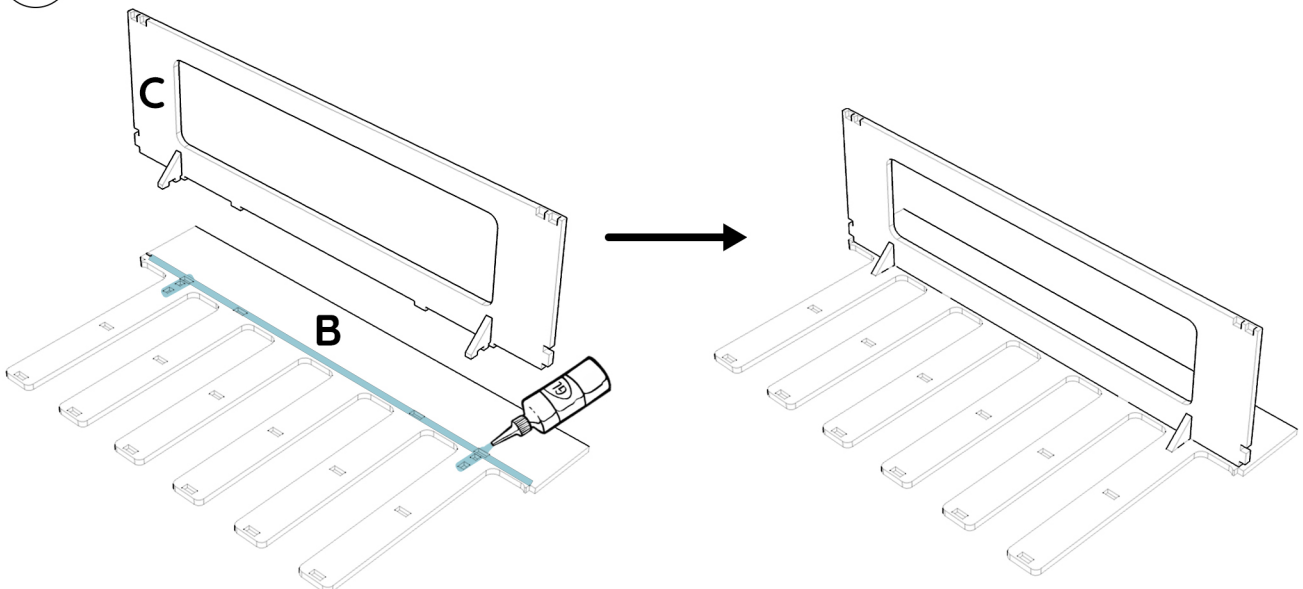


i To align this part, the five grooves must fit together perfectly and the top of part E must be aligned exactly flush with the front K.

- 2 Apply the glue and assemble the brackets **S** on part **C**.

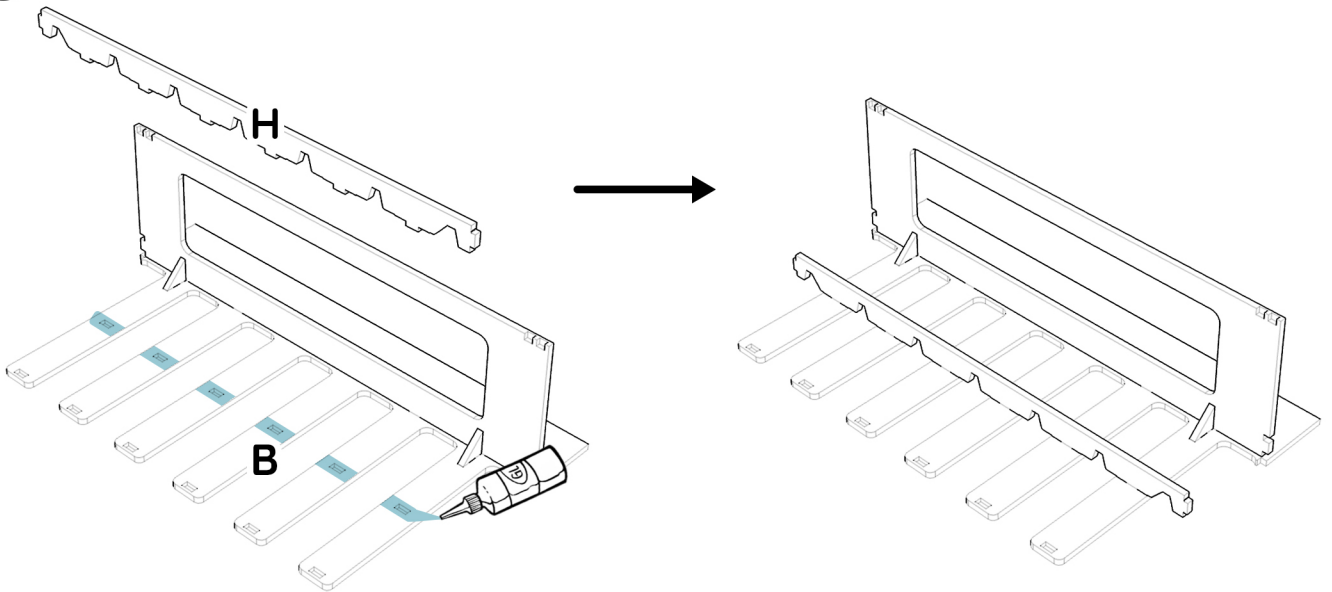


- 3 Apply glue and assemble part **C** with part **B**.

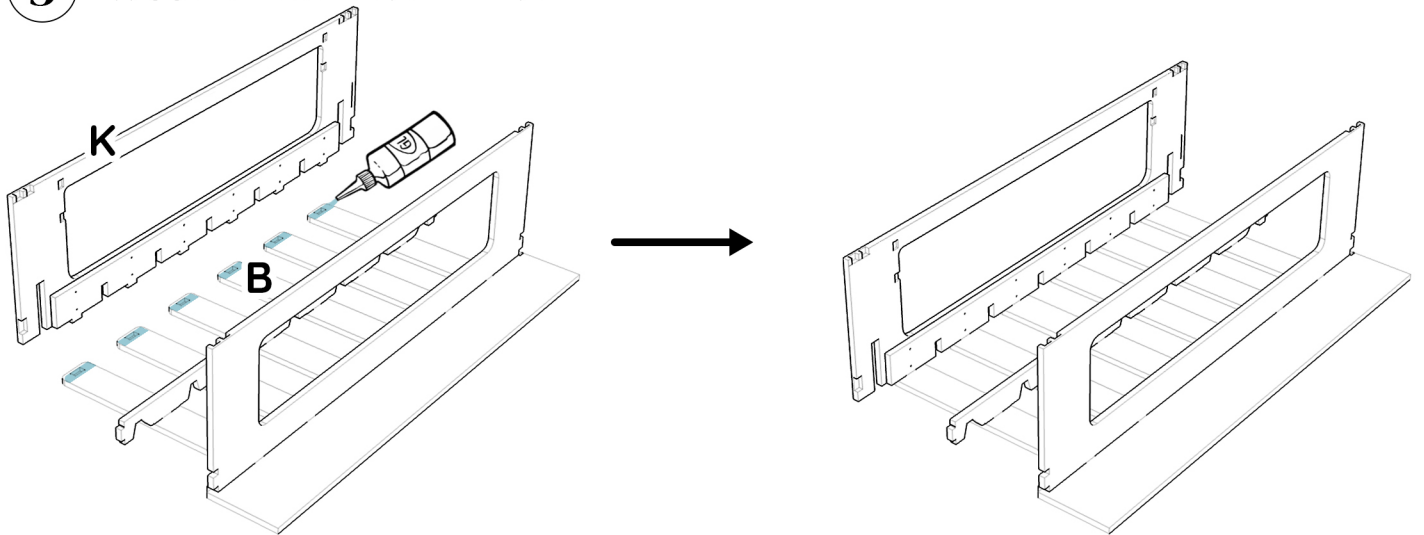


Step 3 : Assembling the 120cm Fixed Part

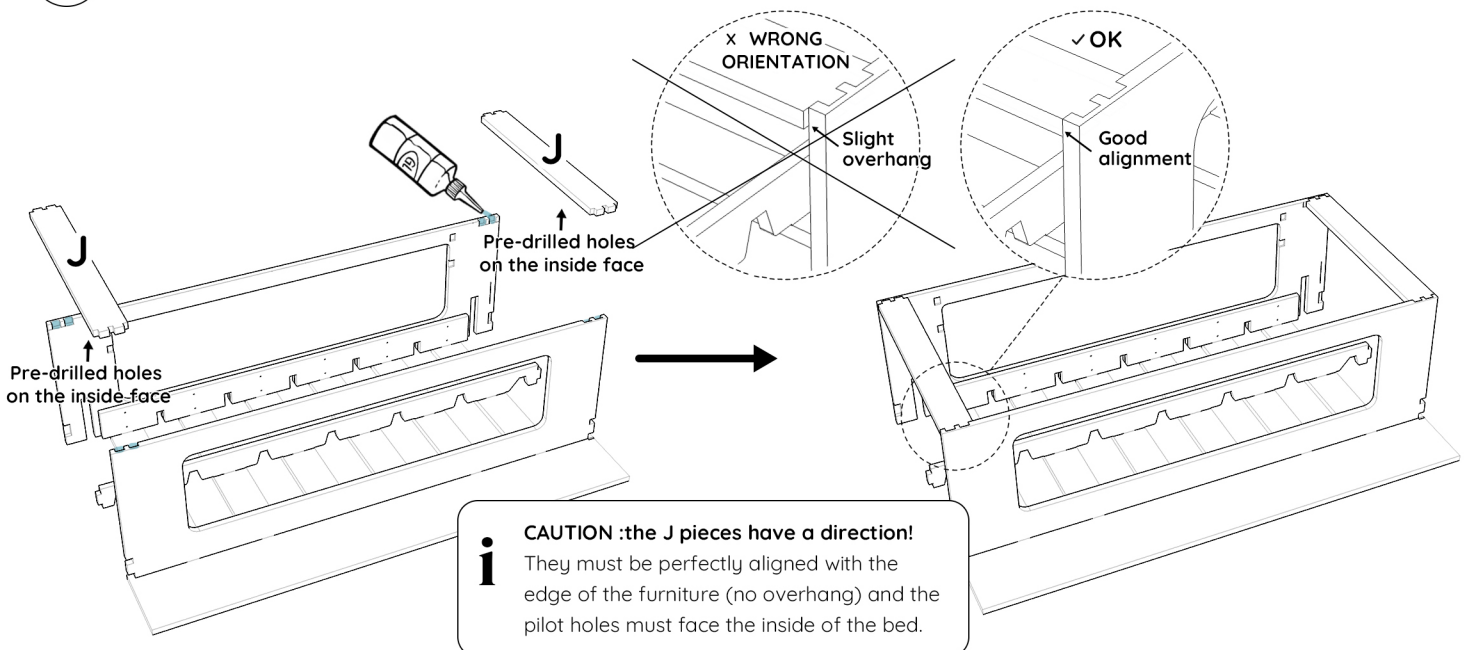
- 4 Apply glue and assemble part H with part B.



- 5 Apply glue and assemble part K with part B.

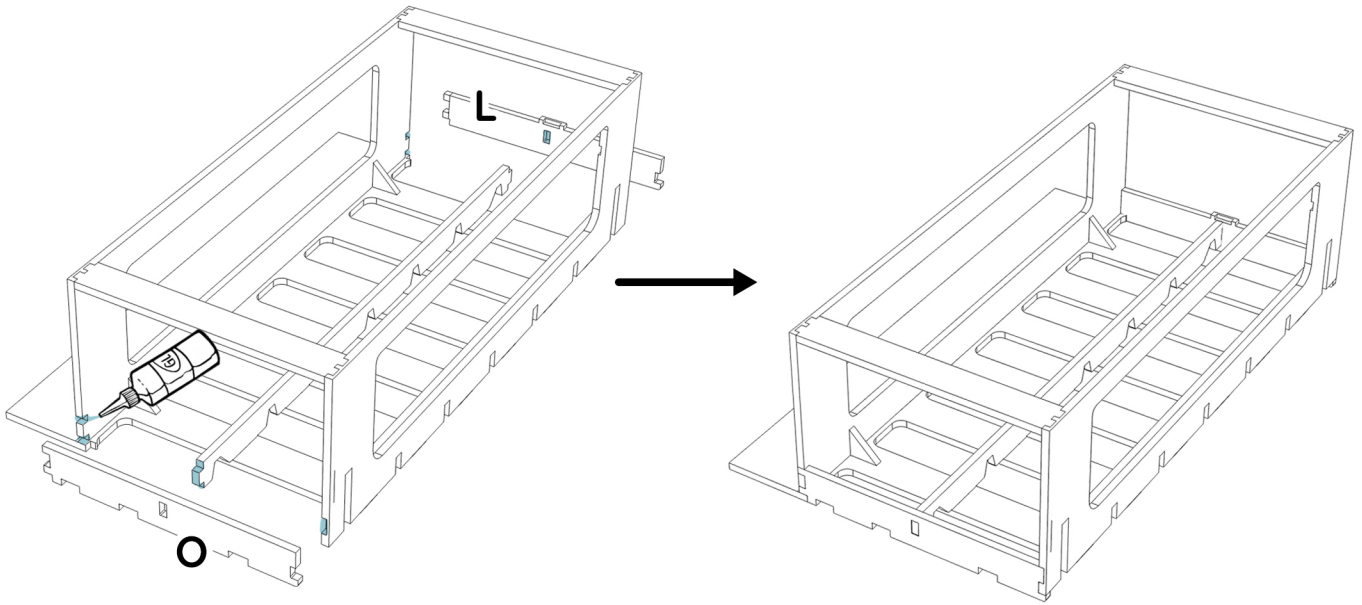


- 6 Apply glue and assemble parts J as below.

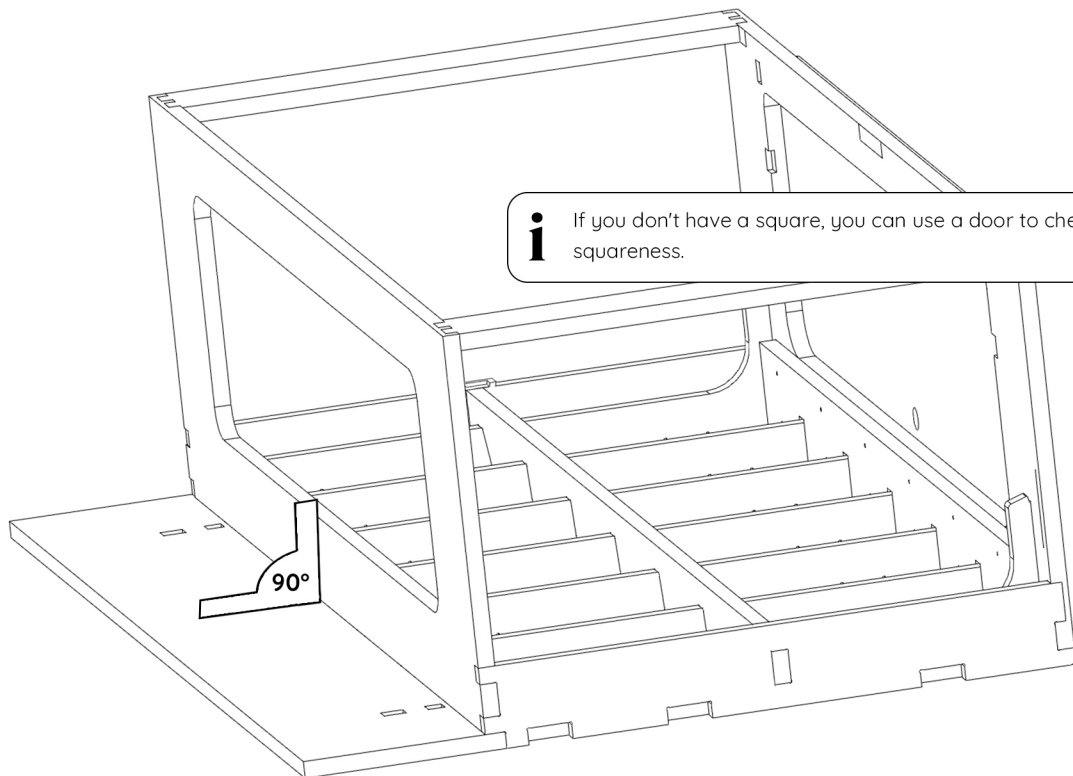


Step 3 : Assembling the 120cm Fixed Part

- 7 Apply glue and assemble pieces **O** and **L** with the rest of the furniture.

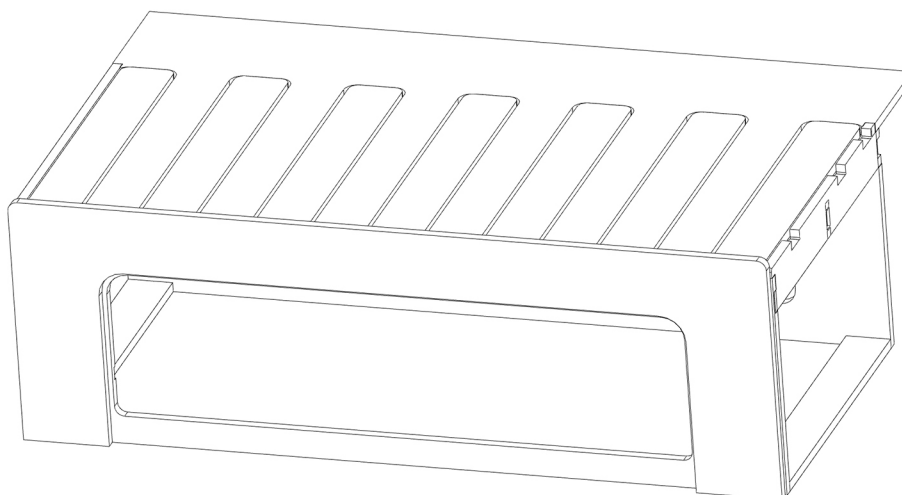
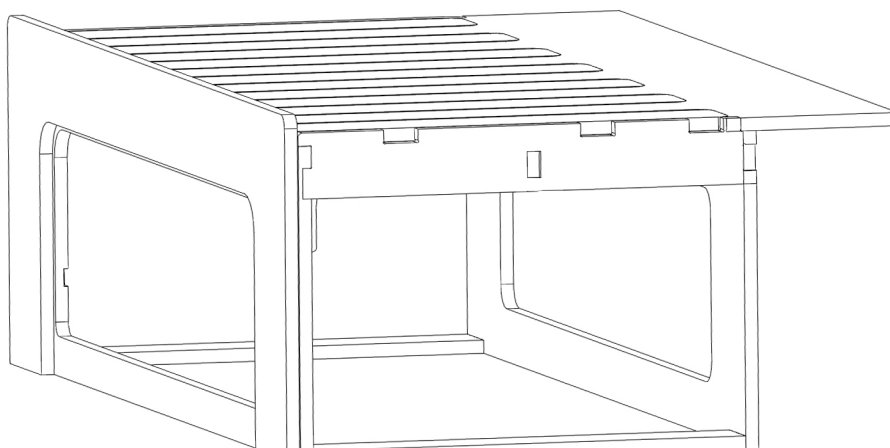
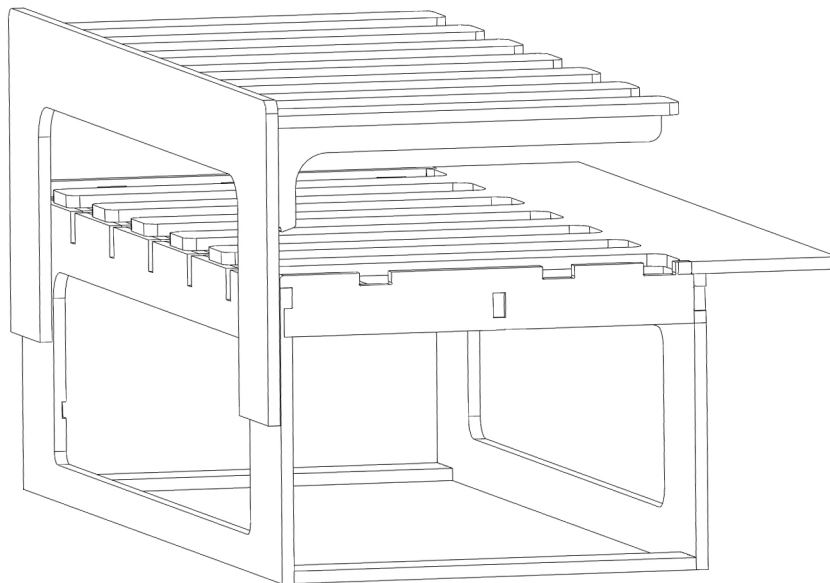


- 8 Check the squareness with a square and adjust if necessary with a clamp for the duration of the drying time of the wood glue.



Step 3 : Assembling the 120cm Fixed Part

- 10** Insert the sliding part of the bed and make sure that all the slats of the bed base are equally spaced.
Warning, this spacing can no longer be adjusted after gluing.



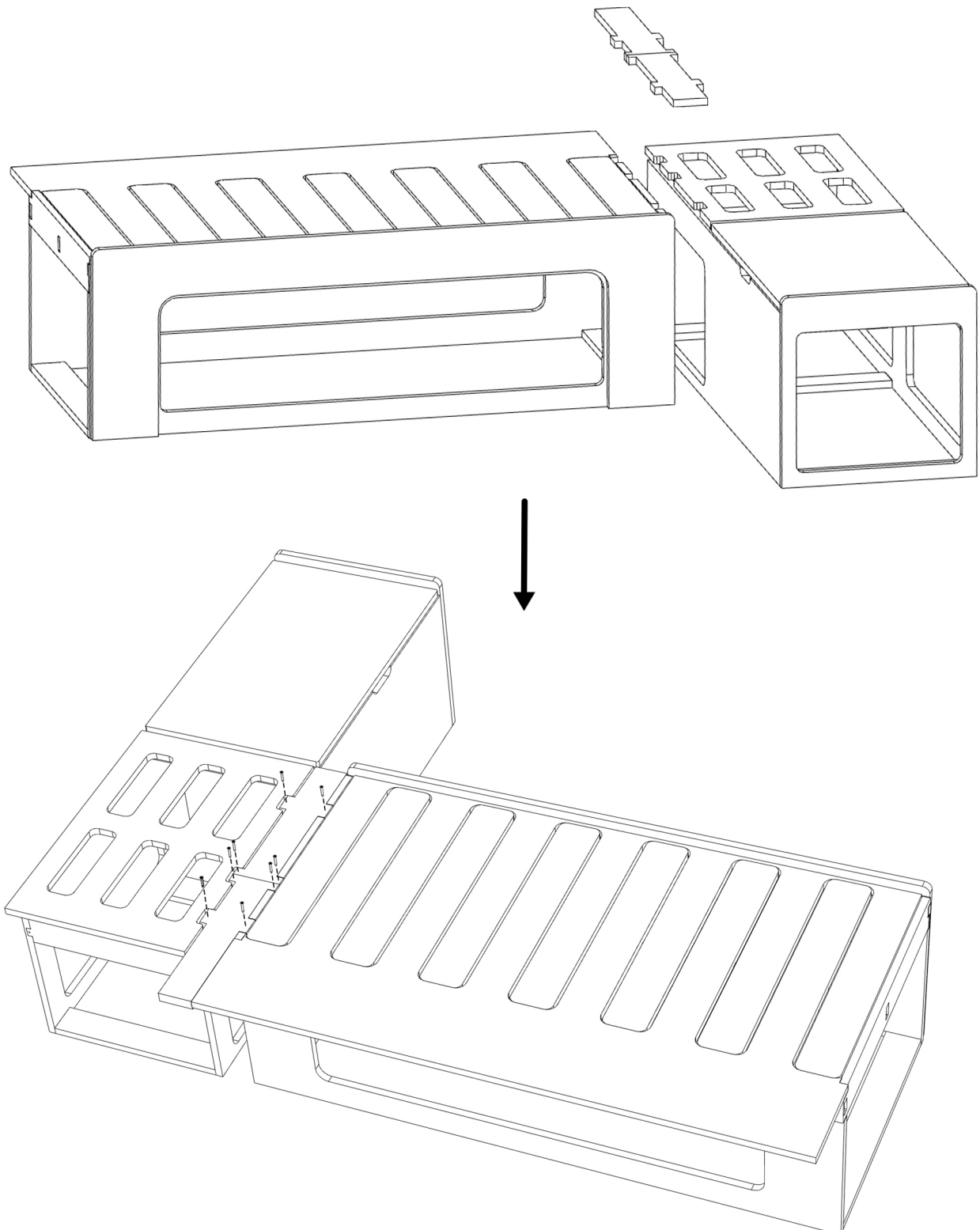


Step 4: Assembling the extension

! **OPTIONAL:** This step is optional and allows you to get a bed that is 167 cm long.

A 7 cm extension (2 pieces Z1 + one piece Z) is provided with the bed to separate the 40 cm part from the 120 cm part. This operation must be carried out before making the cuts in the headband (see step n°5).

1 Position the 2 pieces **Z1** as shown below and screw them using the small diameter 25 mm screws.

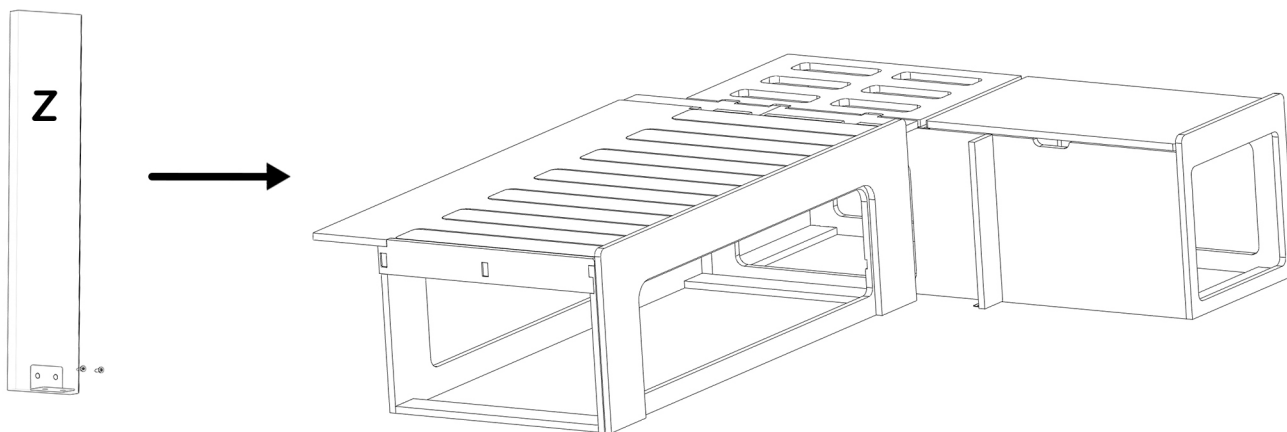


Step 4: Assembling the extension

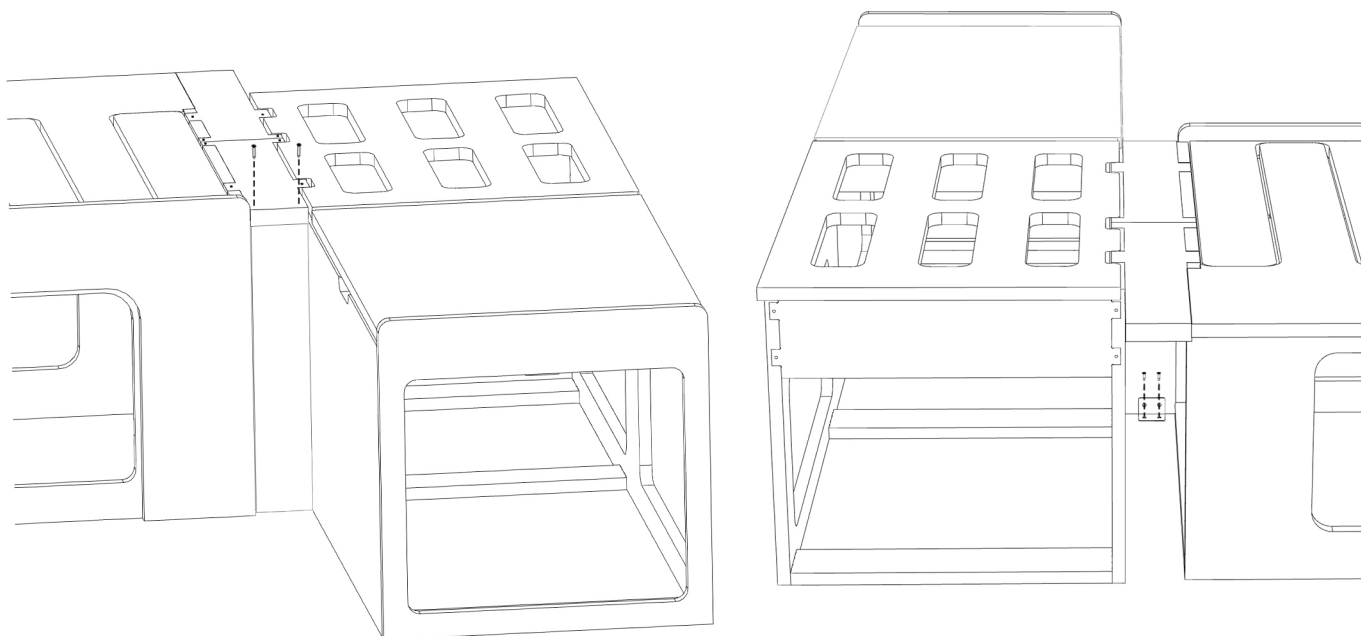
! **OPTIONAL:** This step is optional and allows you to get a bed that is 167 cm long.

A 7 cm extension (2 pieces Z1 + one piece Z) is provided with the bed to separate the 40 cm part from the 120 cm part. This operation must be carried out before making the cuts in the headband (see step n°5).

2 Attach a **metal bracket** to the bottom of the remaining piece **Z** using **2 screws of 15 mm**.



3 Screw the pieces together using **25 mm small diameter screws** and to the ground using **15 mm screws through the metal bracket**.



Step 5 (optional): Cutting the headband

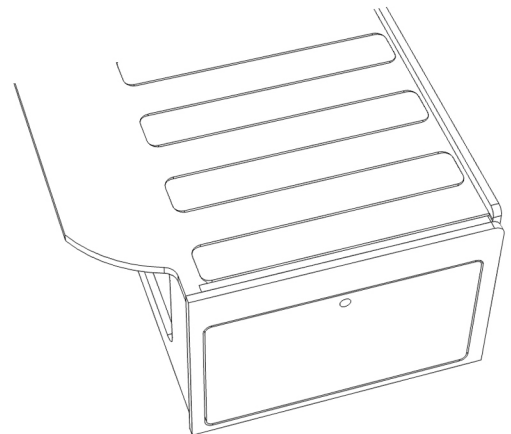
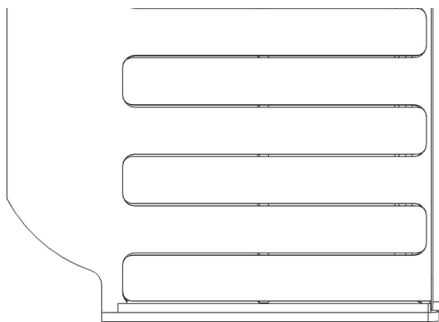
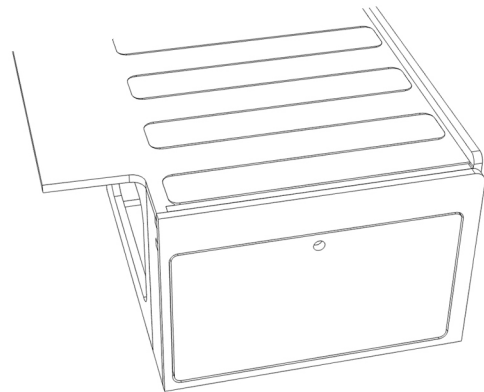
IMPORTANT INFORMATION:

If you are looking for simplicity, you can skip this step.

Possibility of cutting the strip (120 cm part) to a maximum width of 150 mm to best adapt to the shape of your van! However, **be careful not to cut too much in order to guarantee the desired width of the unfolded bed.**

Once this adaptation has been completed, you can move on to step 8.

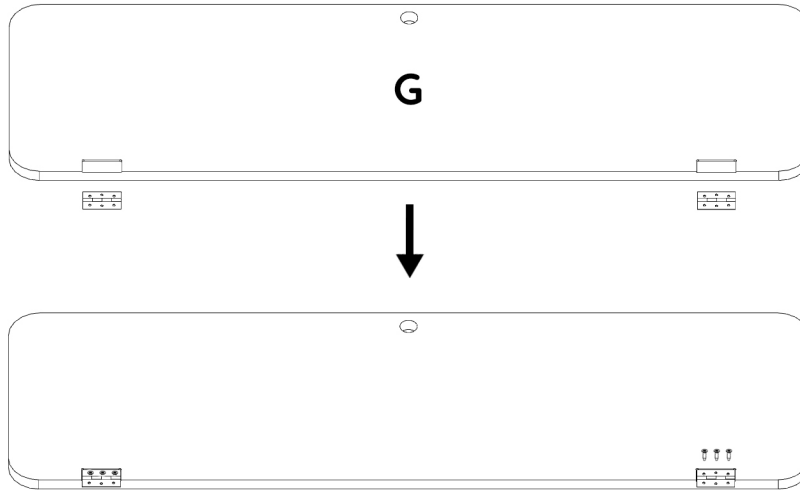
Examples of cutouts



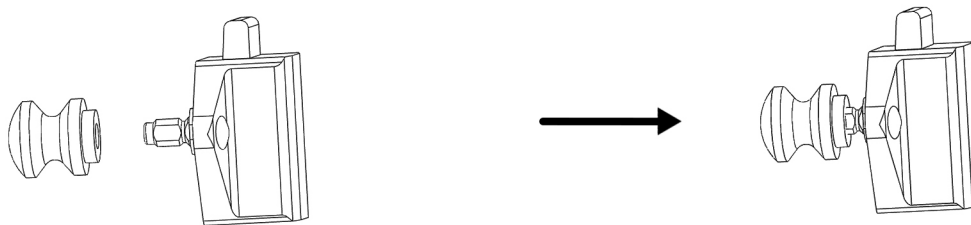


Step 6: equipping the doors (hinges and locks)

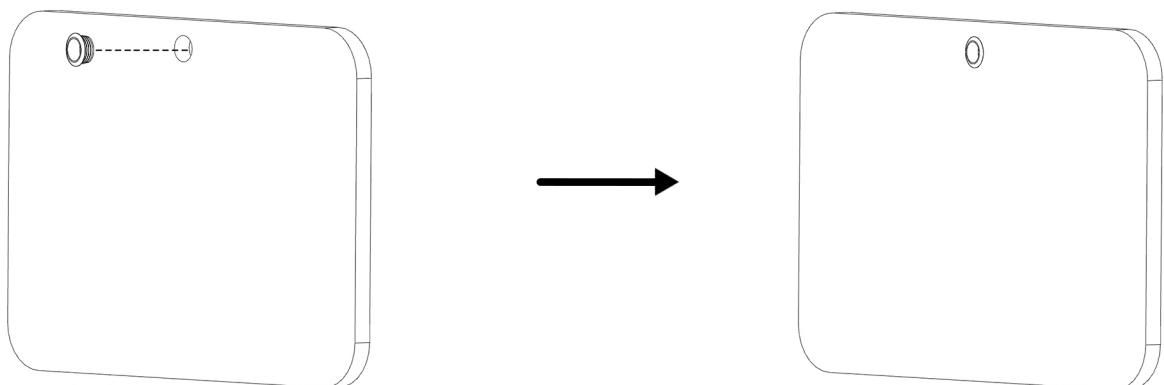
- 1 Place the hinges in locations of the door **G** then screw using the 12 mm screws.



- 2 Equip the locks as follows.

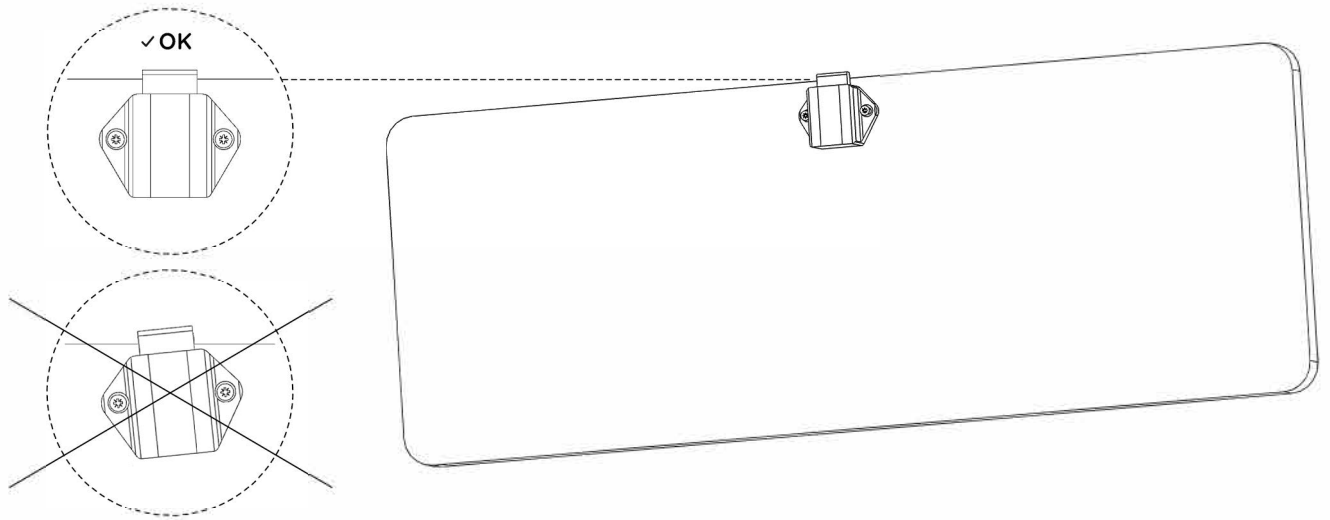


- 3 Instructions for Inserting Rosettes on Doors **G**, **M**, and **X2**

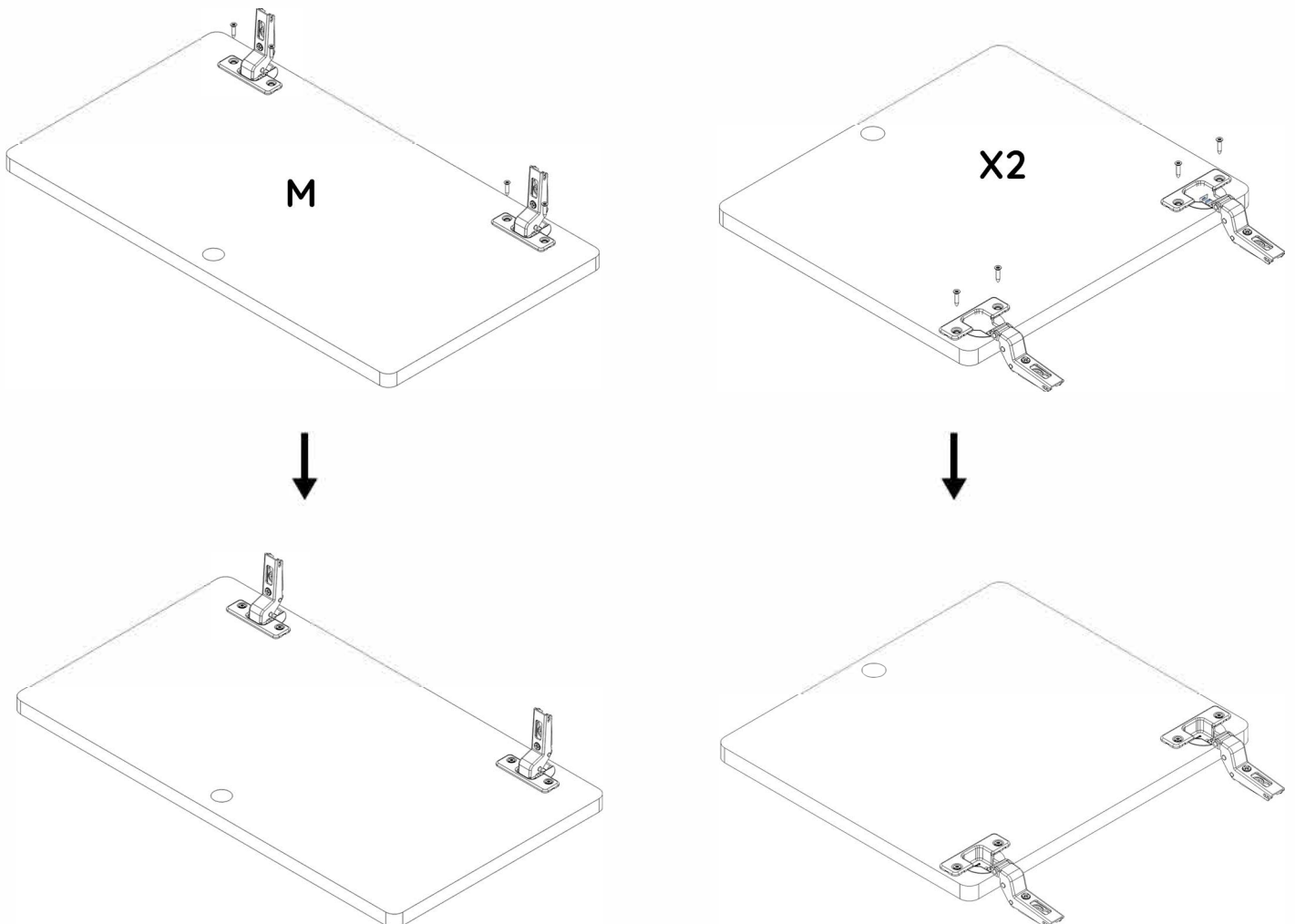


Step 6: equipping the doors (hinges and locks)

- 4 Place the lock on the back of the **G**, **M** and **X2** doors and secure them using the 15 mm screws.



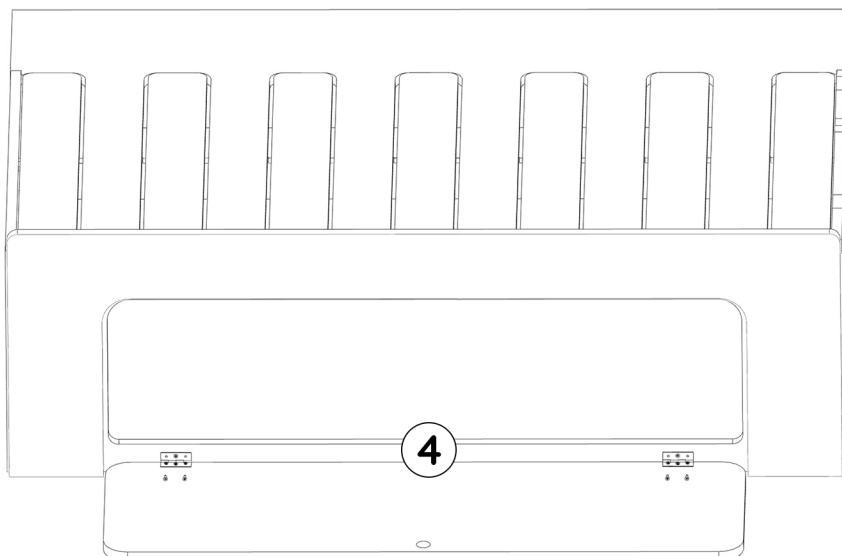
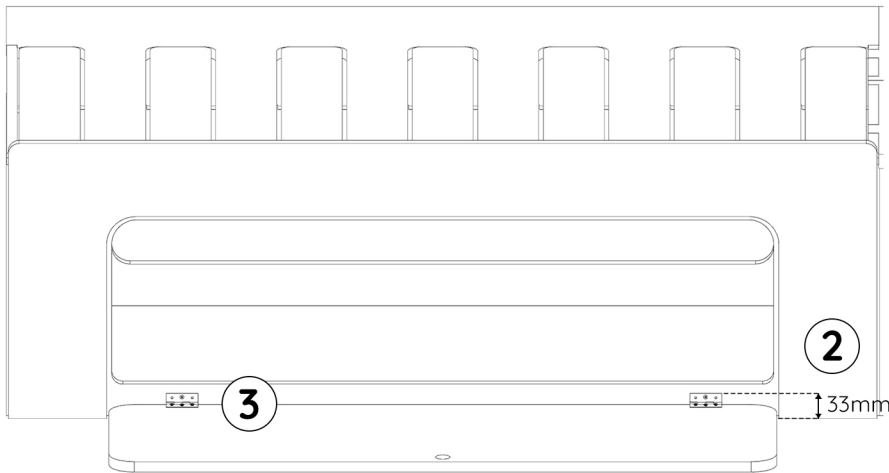
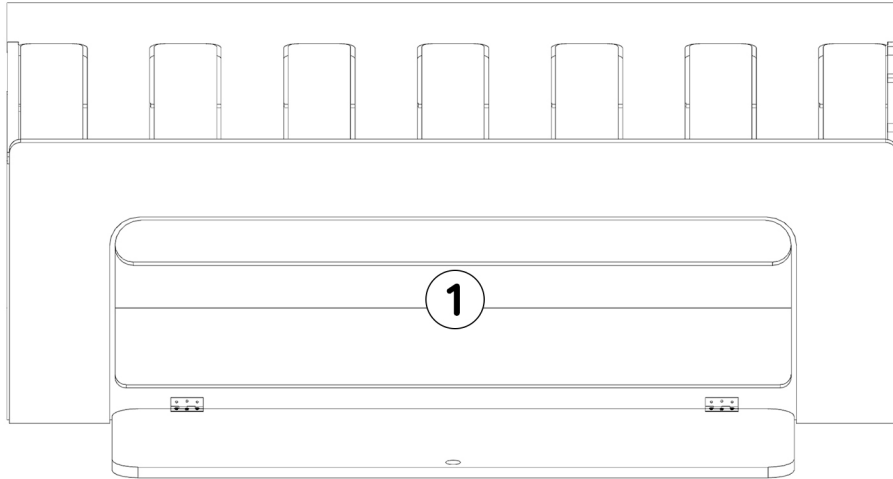
- 5 Special case for doors **M** and **X2**: Position the cranked hinges on doors **M** and **X2** as shown below, then screw them in using 4 x 15mm screws.



Step 7: fixing the doors to the fixed parts


For door **G**, proceed in 4 steps as follows:

- 1 - Position the door flat in front of the bed and center it in relation to the feet of the mobile comb.
- 2 - Shim the underside of the door (approximately 5 mm of shim) so that the top of the hinge reaches a height of 33 mm from the bottom of the bed
- 3 - First fix a 12 mm screw per hinge (middle screw) to test the closure of the lock and check the centering of the door,
- 4 - Screw in the remaining 12 mm screws..

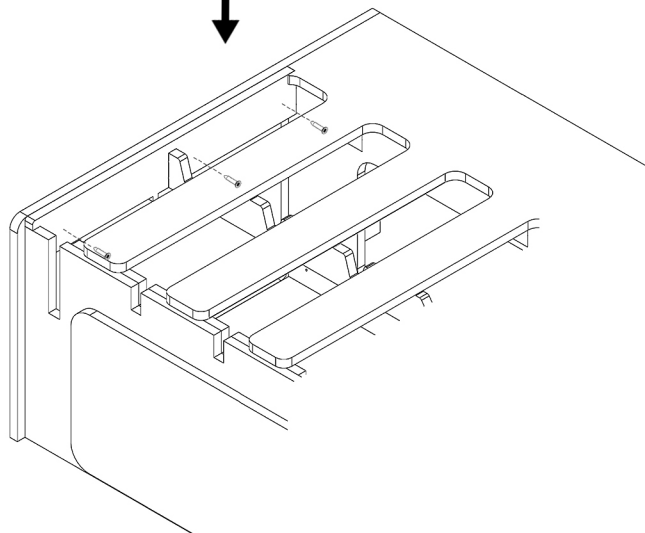
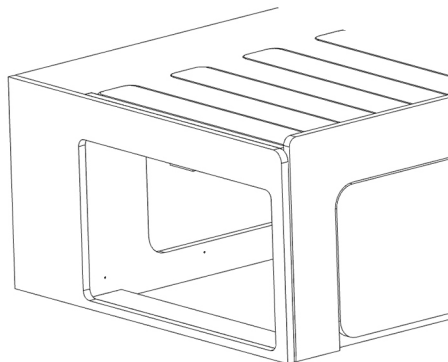
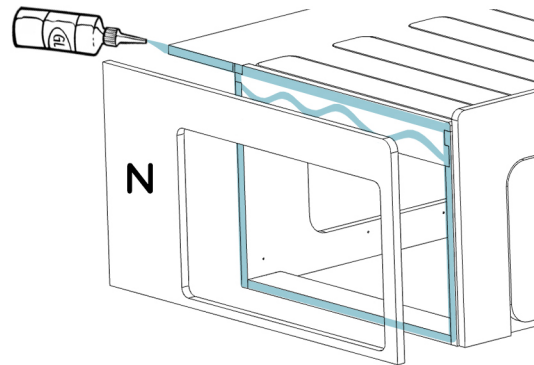




Step 8: Assembling the front and rear frames

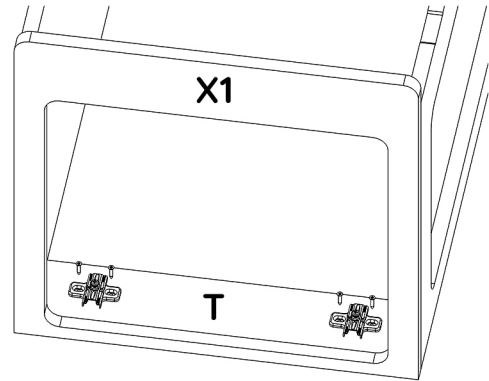
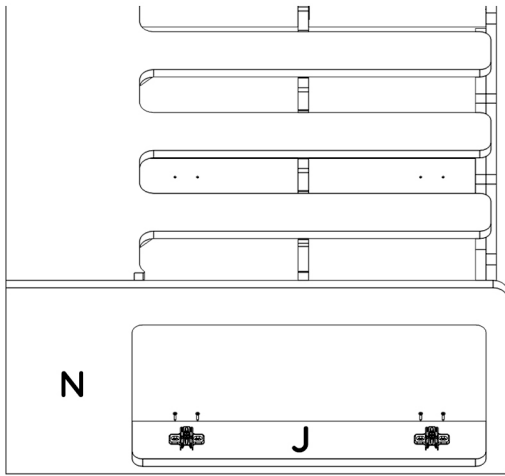
 If you have purchased the D8 kitchen drawer, please consult its instructions to see how to attach the front.

1 Position part **N** on the back of the bed and screw using three 25 mm screws as below.

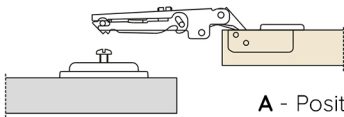


Step 8: Assembling the front and rear frames

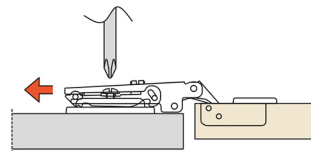
- 2** Screw the cruciform bases into the pilot holes located on piece **J** at the back of the bed using 4 x 15mm screws, and proceed in the same manner to attach the bases to piece **T** at the front of the bed.



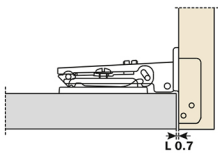
- 3** Assemble the hinges of doors **M** and **X2** onto the bases attached to the furniture as shown below.



A - Position the hinge onto the mounting plate. Alignment with preset final stop.

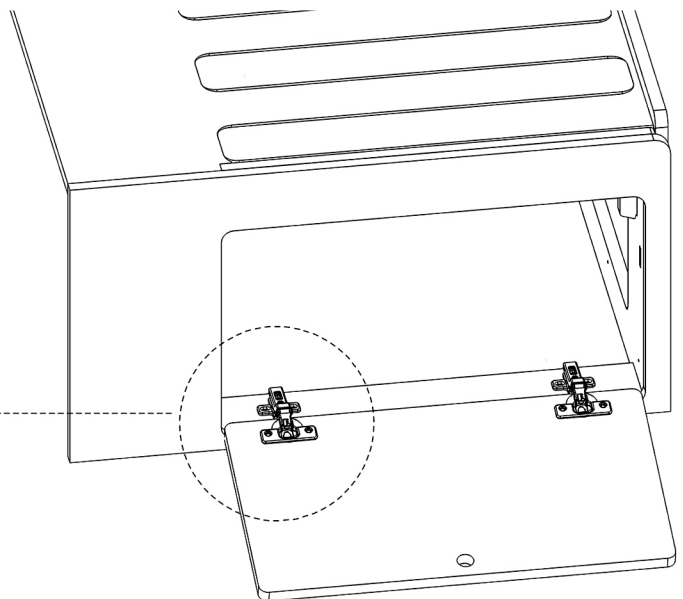
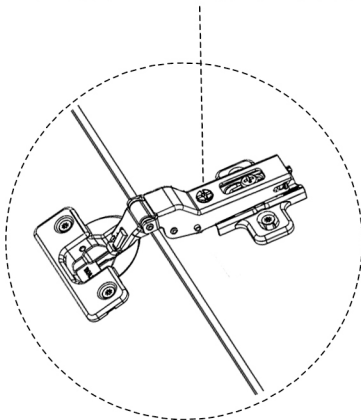


B - Tighten the fixing screw.



C - After assembly, there is a 0.7mm gap between the door and the side.

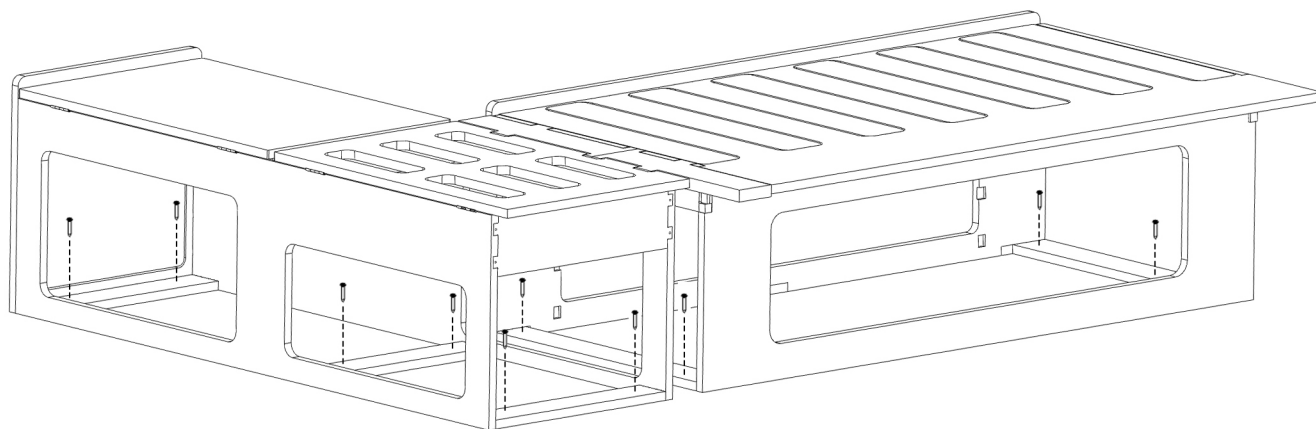
Adjust the door height by tightening this screw to raise it or loosening it to lower it. Maintain a uniform clearance of about 4mm around the door.





Step 9 : Fixing to the floor

We recommend fixing your bed to the floor using our **tool-free fixing kit** or **using 25 mm screws by screwing through the various reinforcements at the bottom of the bed** as below (4 screws for the 120 part and 6 others for the 40):



HAPPY ASSEMBLY!

If you have any comments regarding the assembly,
you can let us know by email:
sav@simplevans.eu

**ALL
TUTORIALS →
HERE**



SHARE YOUR EPIC VAN BUILD JOURNEY WITH US AND THE COMMUNITY!

#SimpleVansLife

**Snap some pics or record a video of your awesome furniture
installed and ready for adventure.**

We'll feature the best content on our social media channels,
and the most inspiring builds will win incredible prizes!

