

Assembly guide

A4 Unit



WELCOME ABOARD!

Let's assemble Your dream furniture and get you on the road.

LET'S GO !

Furniture Variations



Note : our furniture comes in several versions depending on the vehicle model. This manual is based on a universal version of the furniture. The shape of some parts (especially in the rear part of the furniture) may change, but the assembly principle and the designation of the parts remain the same.

A4.1 UNIVERSAL



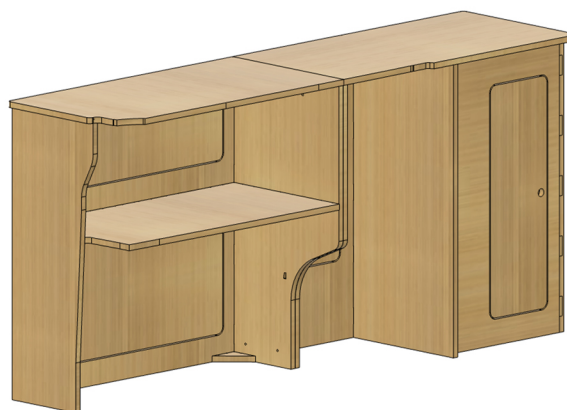
A4.2 T5/T6



A4.3 TRAFIC



A4.4 EXPERT/ JUMPY



**SHOW OFF YOUR SKILLS
& INSPIRE THE VANLIFE COMMUNITY!**

Share your build on Facebook, Instagram ou TikTok.

Use #SimpleVansLife :

Best content wins awesome prizes.



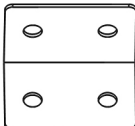
Materials required for assembly


- Masking tape
- Square (optional)
- PZ1 & PZ2 screwdriver
- Wood glue (slow-drying recommended)
- Damp cloth (or paper towel)
- Putty knife or ruler (for positioning hinges)
- Pencil (for marking hinge placement)

Package contents :

 Screw PZ1 12 mm X **72**

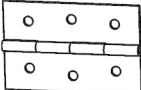
 Mini lock X **5**

 Metal Bracket X **9**

 Wooden latch 5 mm X **5**

 Screw PZ2 15 mm X **78**

 Push button X **5**

 Hinge X **12**


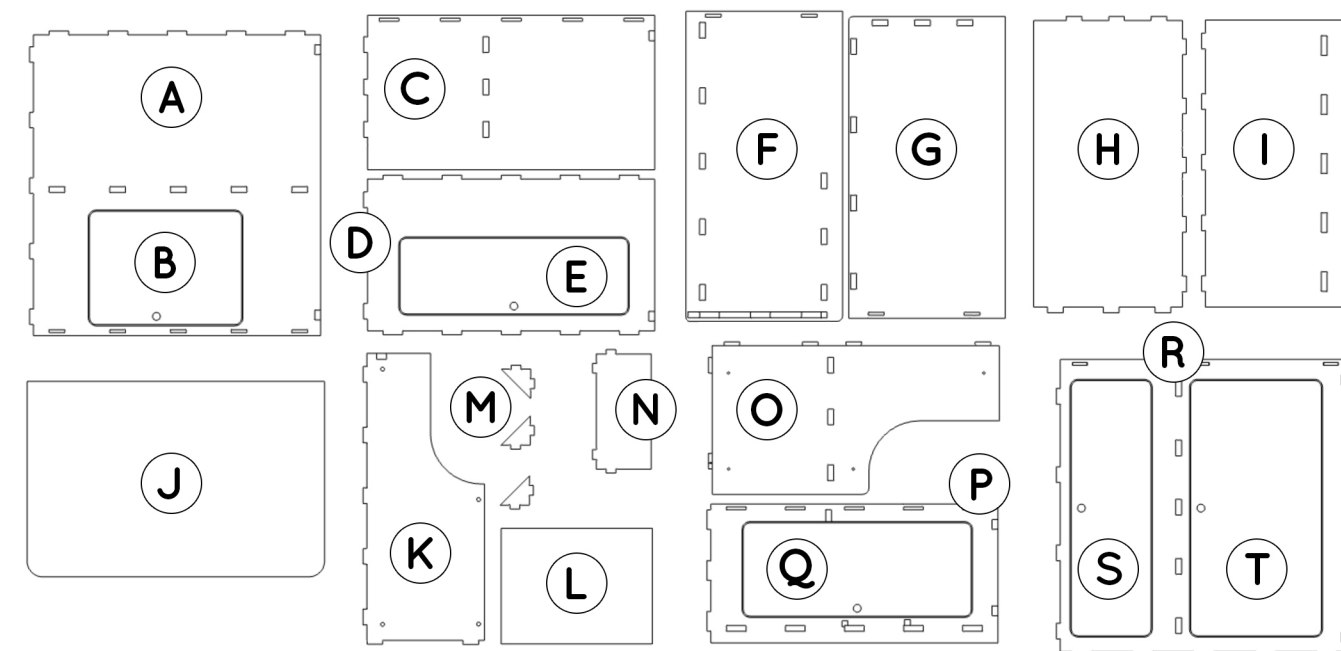
 Screw PZ2 25 mm X **9**

 Table stand X **2**

 Table clip Kit X **1**



i The parts above are those of the universal A4.1 Unit. If you have another version of the A4 Unit, the shape of these parts may change to better fit your van, but their names and the assembly principle remain the same.

Read before assembling the furniture

- Check for chips in the grooves
- Check that the parts are free of defects before gluing / or make a dry fitting
- Read the entire instructions carefully before final assembly with glue
- Wipe off excess glue with a damp cloth immediately after gluing each piece
- Make any cuts (if necessary) before gluing the furniture
- Protect the surrounding areas of the gluing areas with masking tape to reduce cleaning

If you have a problem with a part or accessory, please contact us by email: sav@simplevans.eu

FRONT UNIT ASSEMBLY



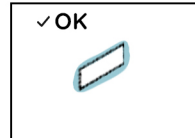
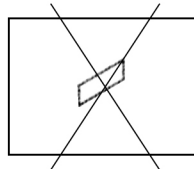
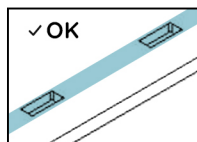
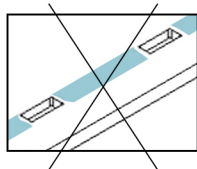
Estimated time: 60 min



Apply a sufficient amount of glue to the contact surfaces and grooves.

The glue should **slightly protrude from the grooves** when assembled.

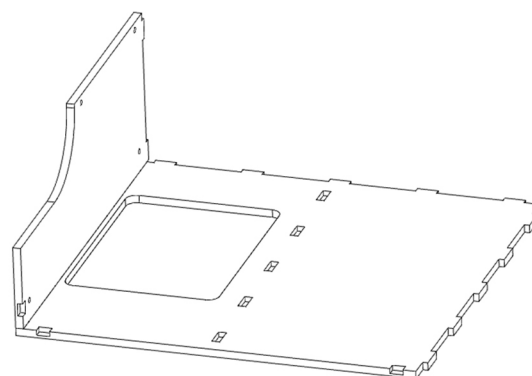
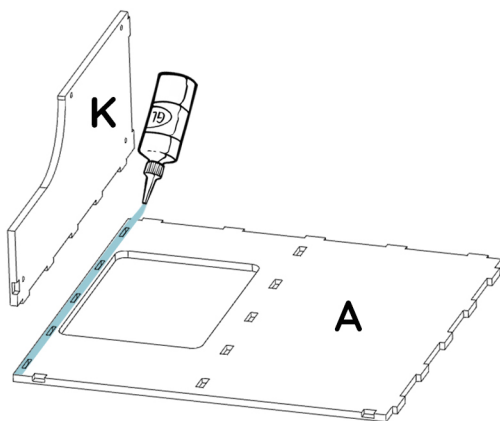
Wipe off excess glue with a damp cloth after assembly.



glue that slightly protrudes after assembly

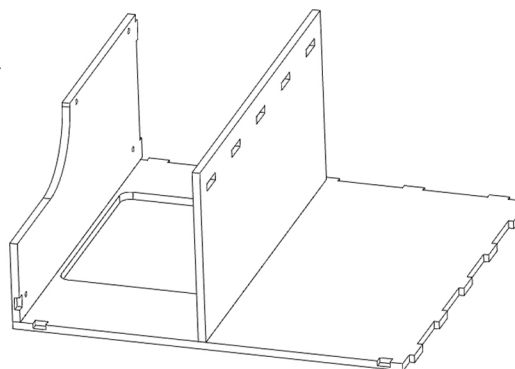
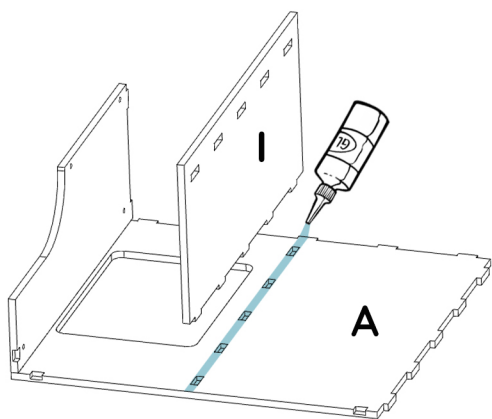
1

Assemble pieces **A** and **K**. Apply glue to the notches and joint before joining the pieces.



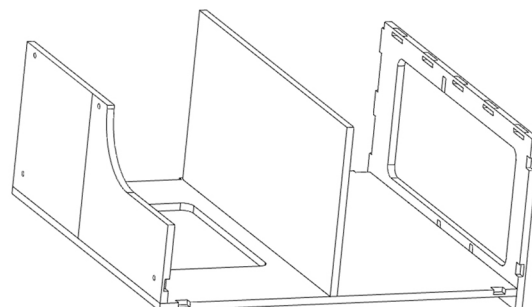
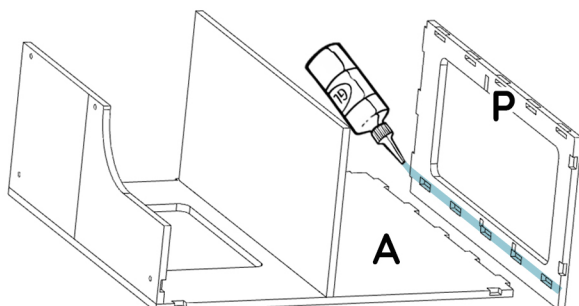
2

Apply glue to the notches and joint and assemble piece **I** onto piece **A**.



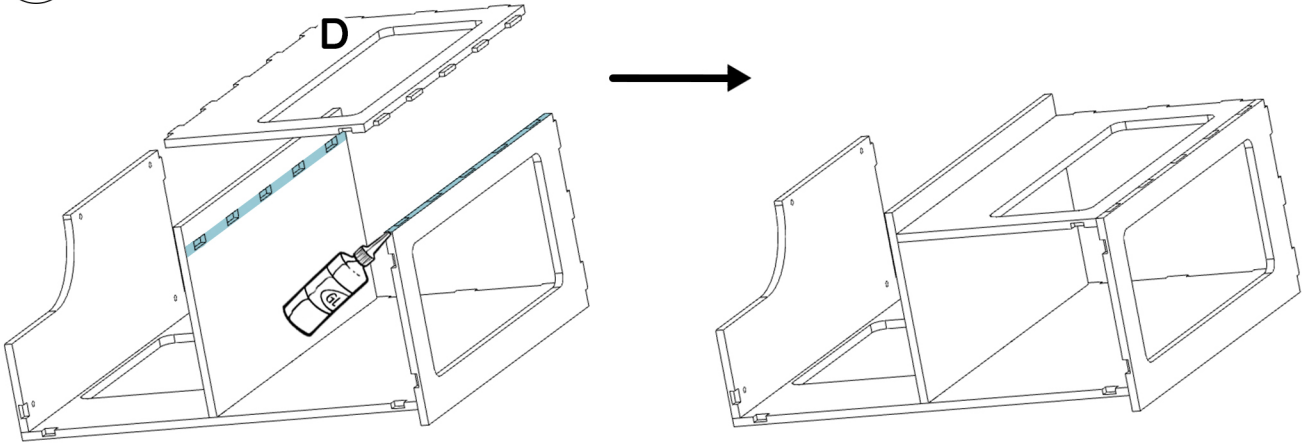
3

Apply glue to the notches and joint and assemble piece **P** onto piece **A**.

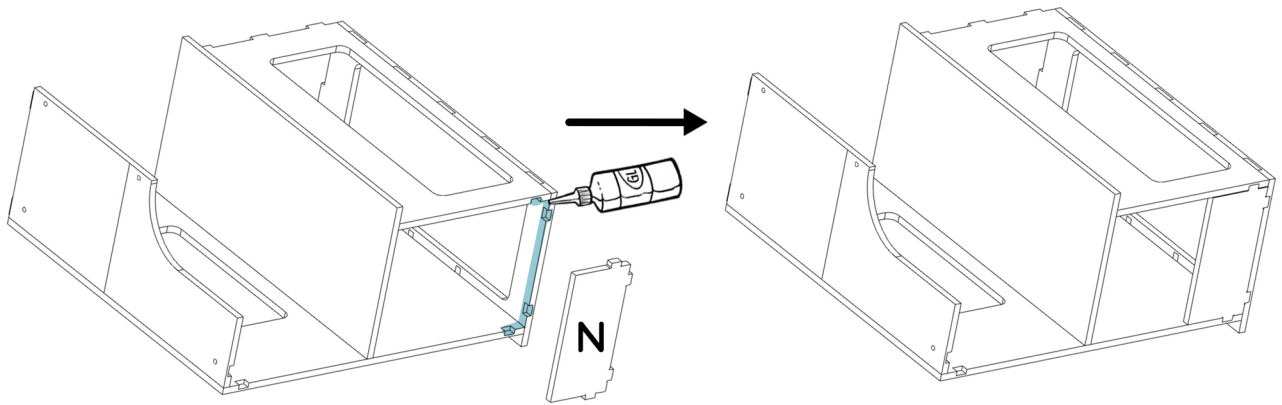


FRONT UNIT ASSEMBLY

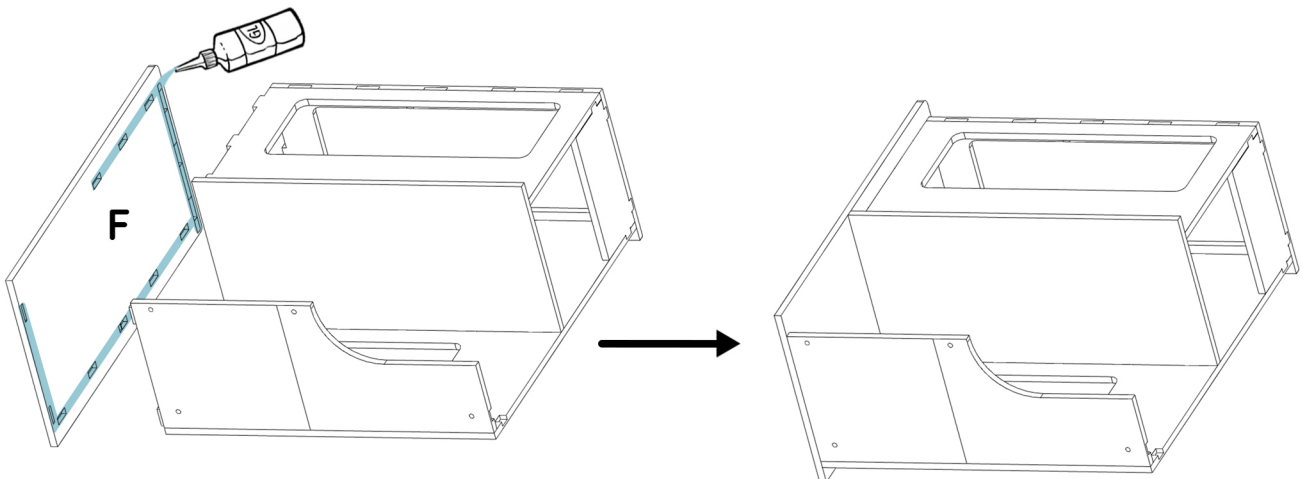
- 4 Apply glue to the notches and joint and assemble piece **D** with the rest of the parts.



- 5 Apply glue to the notches and joint and assemble piece **N** with the rest of the parts.

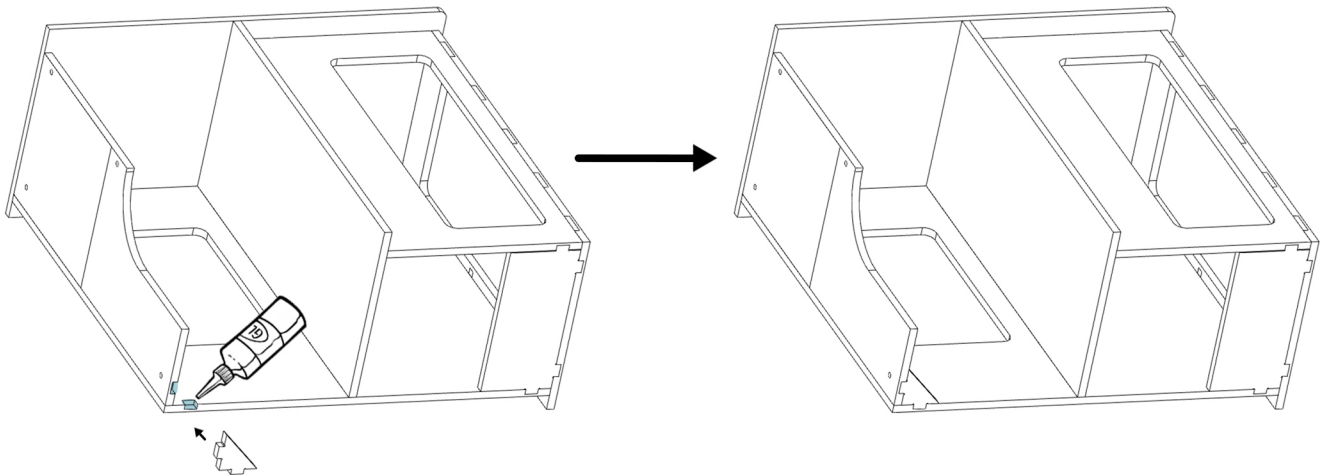


- 6 Apply glue and assemble the worktop **F** with the remaining parts.



FRONT UNIT ASSEMBLY

- 7** Apply glue and assemble bracket **M** as shown below.



i Use masking tape to hold the brackets in place. You can now move the unit into a vertical position and let gravity hold the top in place. Allow the glue to dry for as long as the manufacturer recommends (usually around 2 hours).

Congratulations! You have successfully completed the gluing of the front section of your A4 unit.

You should be proud of yourself.

Did you find any step difficult or poorly explained?

Share your progress and the stages of your journey with us!

We are constantly looking to improve and your feedback will be really appreciated!

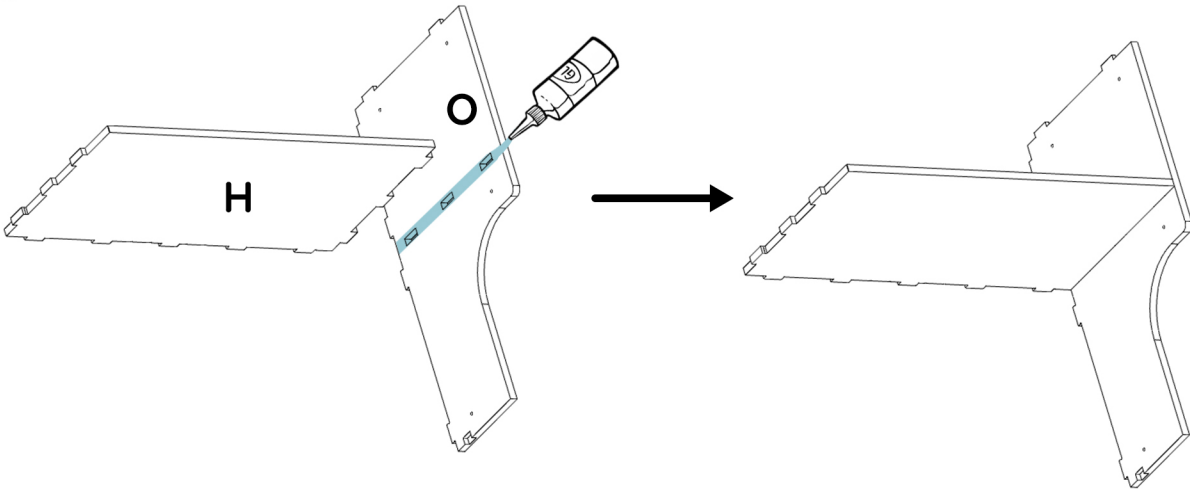
let's get back to it!

BACK UNIT ASSEMBLY

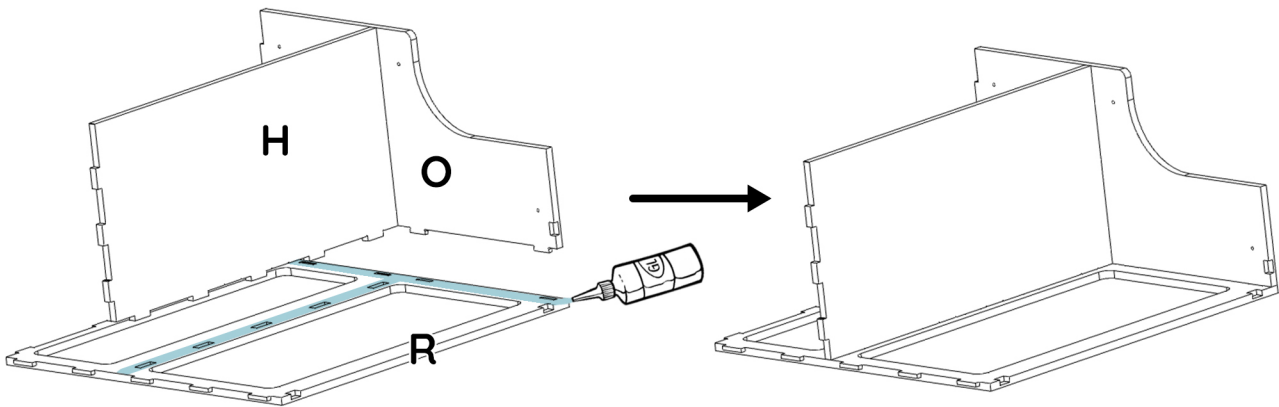


Estimated time: 60 min

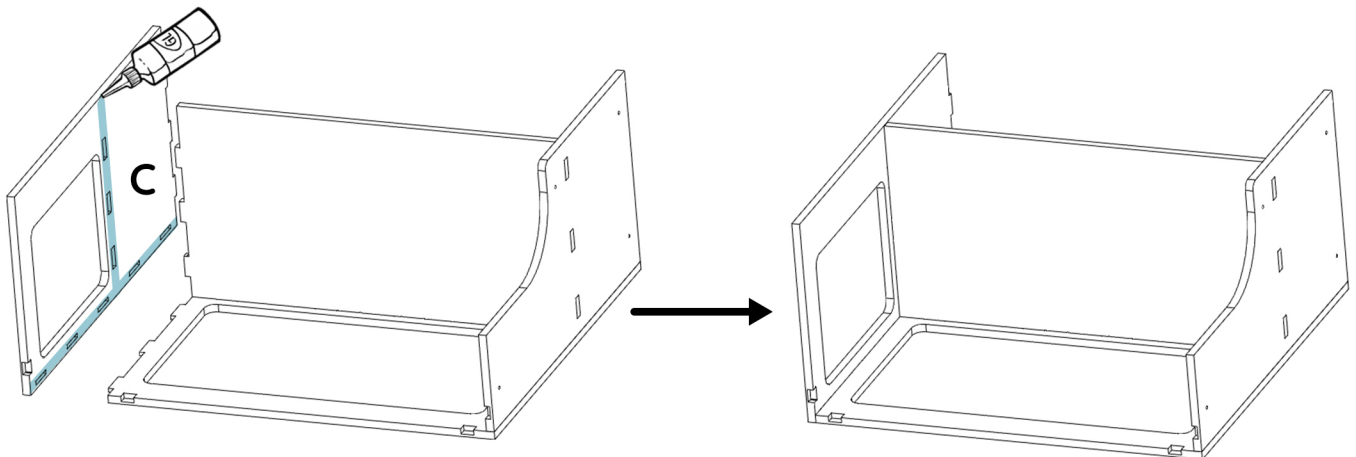
- 1 Bring pieces **H** and **O** together. Apply glue to the notches and joint, and assemble.



- 2 Apply glue to the notches and joint, then assemble pieces **H/O** with the front panel **R**.

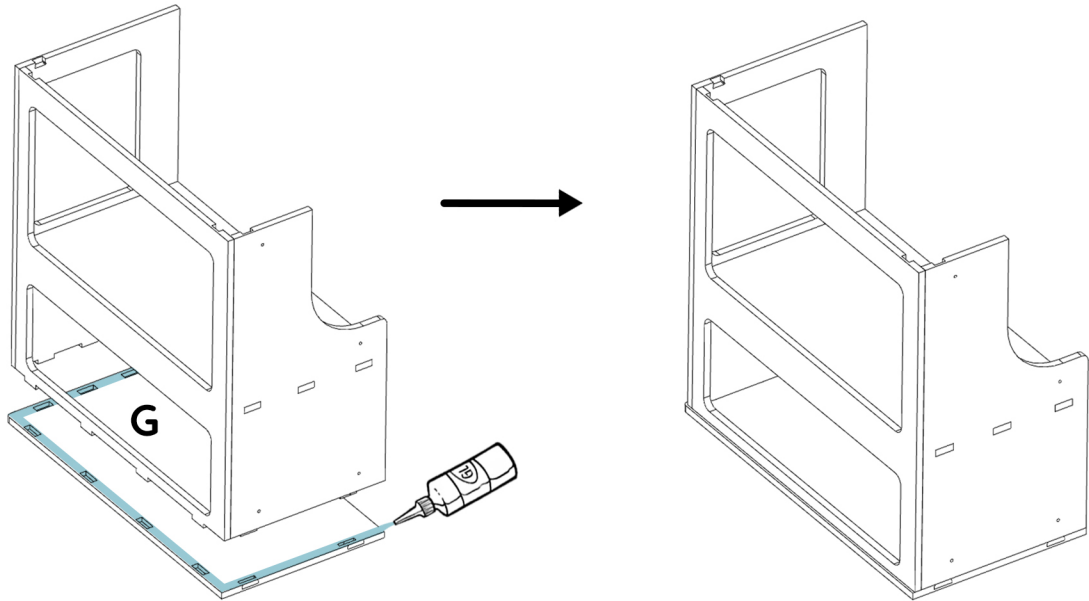


- 3 Apply glue to the notches and joint, then assemble piece **C** with the remaining parts.

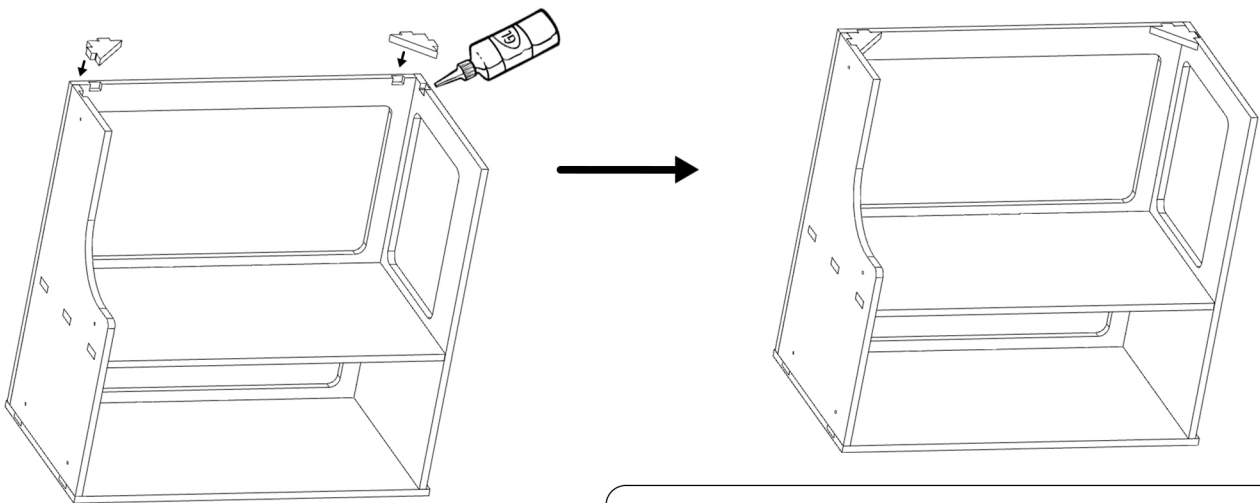


BACK UNIT ASSEMBLY

- 4 Apply glue to the notches and joint, then assemble worktop **G** with the remaining parts.



- 5 Apply glue to the notches and joint, then attach the two angle brackets **M** to the corners of the furniture as shown below.



i Use masking tape to hold the brackets in place. You can now move the unit into an upright position and let gravity hold the top in place. Let it dry for as long as your glue suggests (usually about 2 hours).

WELL DONE ! You have finished gluing the A4.

We hope you are proud of yourself, the hardest part is done!
Do you also feel this little wind of adventure blowing over you?

Share your progress and the stages of your journey with us!
We are constantly looking to improve and your feedback will be really appreciated!

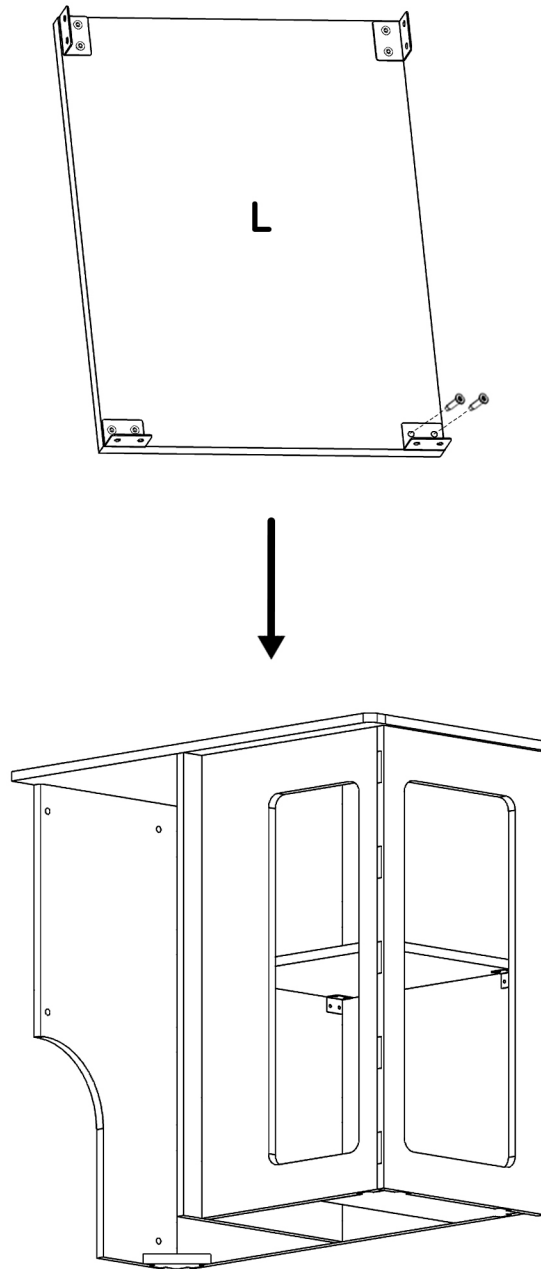
let's get back to it!

SHELF INSTALLATION



Estimated time: **10 min**

Attach 4 brackets to piece **L** using 15mm screws. Then screw piece **L** to the furniture wherever you like. Make sure it doesn't block the door lock.



i If you have chosen one of our **water kits**, the **height of this shelf** will need to be adjusted to fit the water tanks.

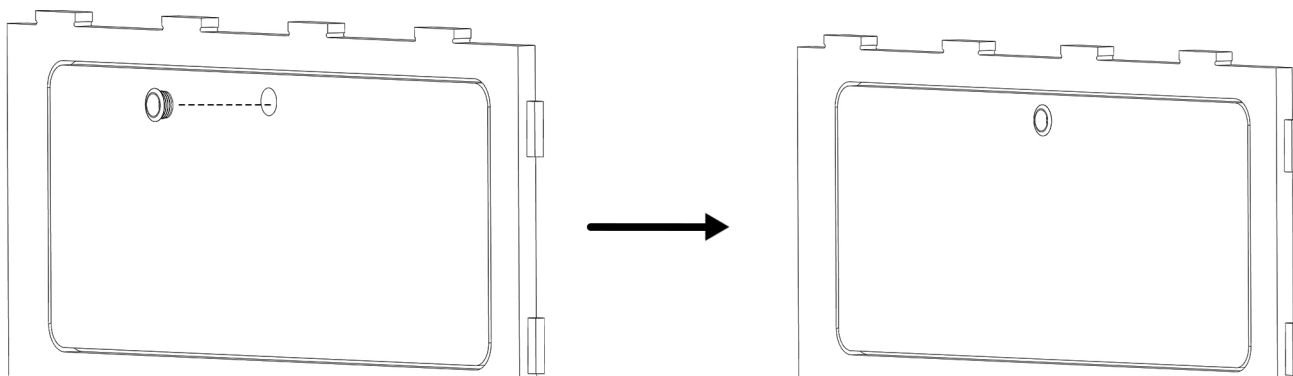


Door Installation Philosophy

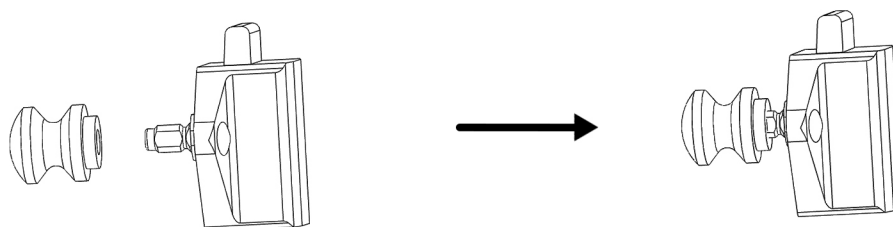
- 2 hinges per door
- Hinge placement: Position the hinges on the longer side opposite the push-lock location.
- Before screwing the push-lock and hinges, ensure they are installed on the correct side of the door panel, following the grain direction of the wood. .

1 Installation of Push Locks

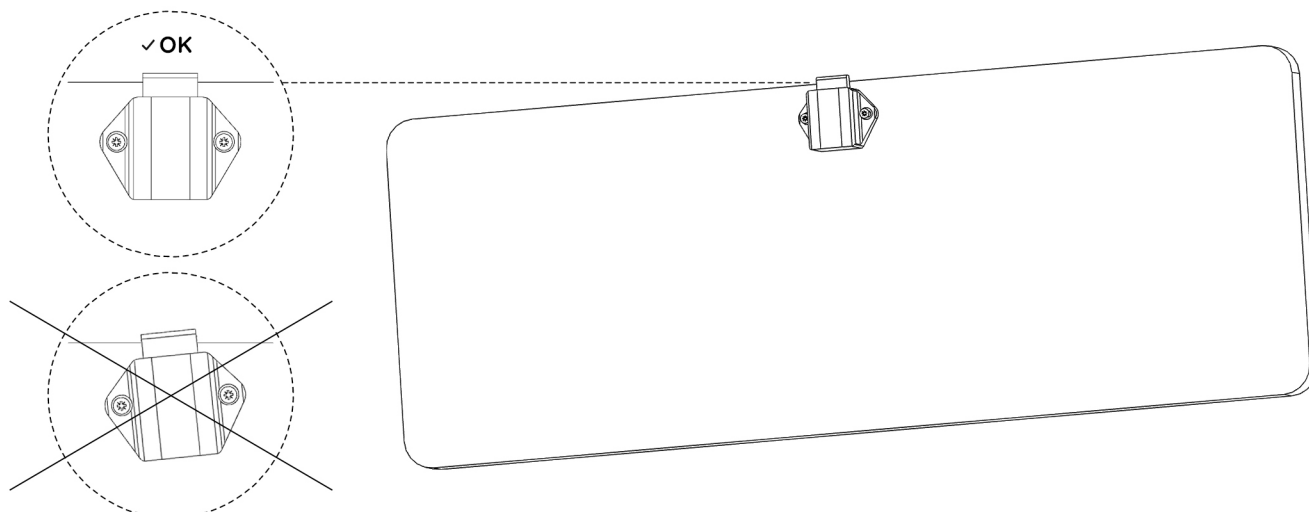
- 1.1** Force-fit the push lock rosette onto the visible side of the panel (paying close attention to the grain direction).



- 1.2** Screw the button onto the push lock.



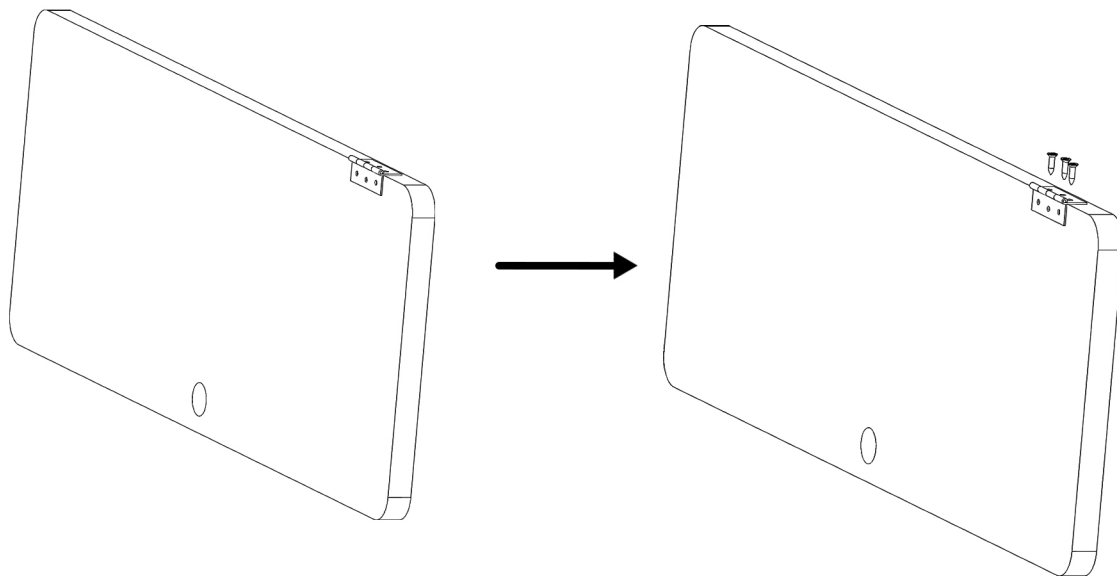
- 1.3** Screw the push lock with two 12mm screws. Ensure it is properly aligned with the top of the door.



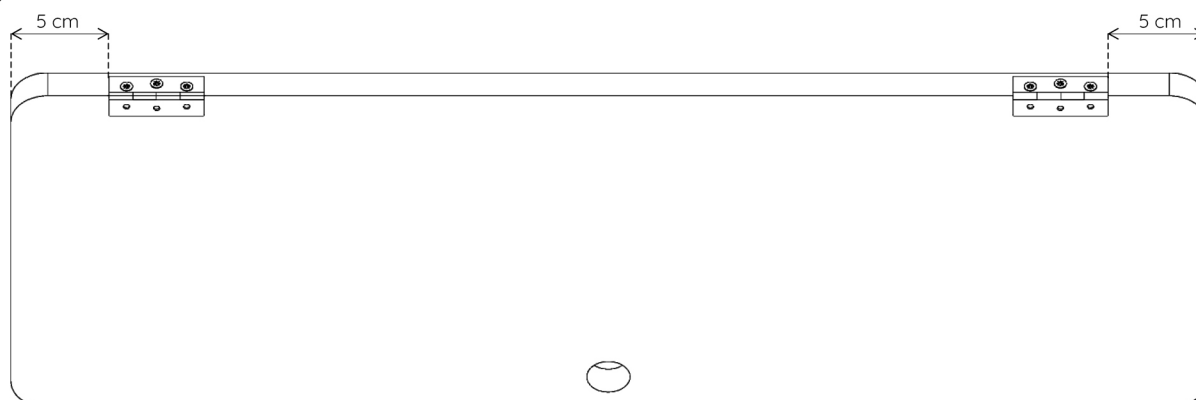
ASSEMBLY OF DOORS, HINGES, PUSH LOCKS AND STOPS

2 Installation of hinges

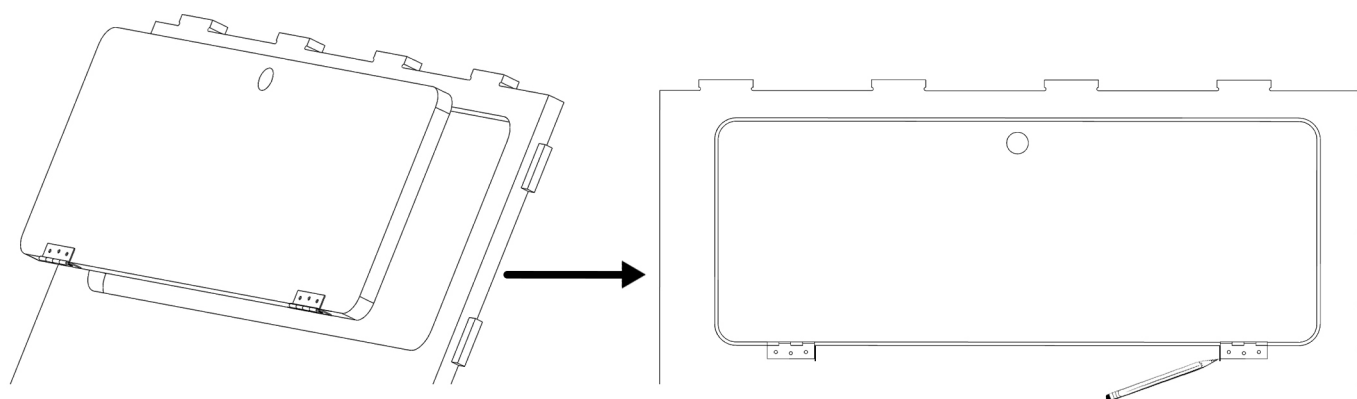
2.1 Position the hinges 5 cm from the edge of the door and fold the hinge onto the FRONT of the door.



2.2 Screw the hinges using 12 mm screws.

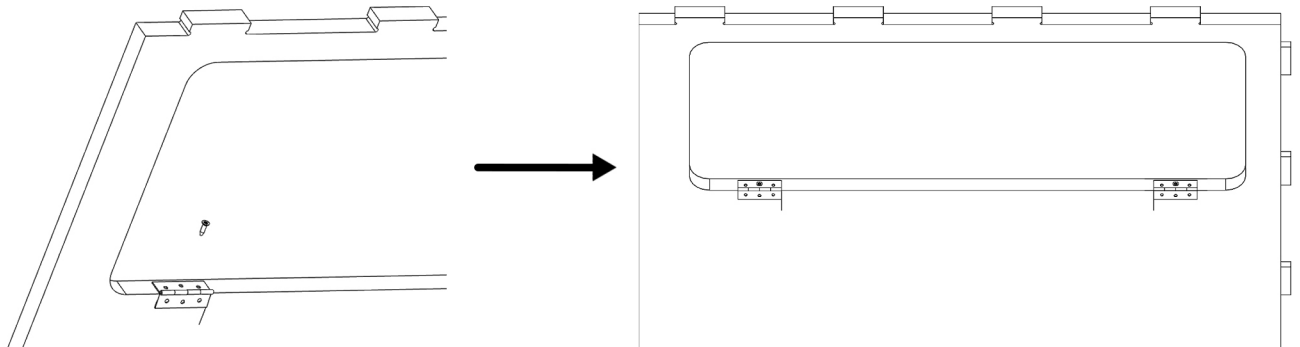


2.3 Position the door in its frame and center it, then fold down the hinge on the front of the furniture and make a slight mark using a wooden pencil or tape.

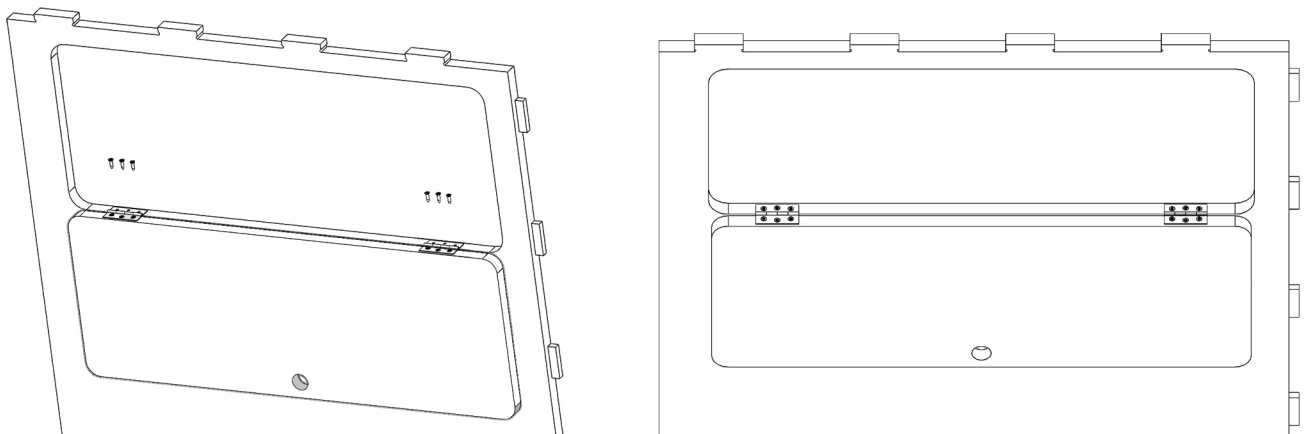


ASSEMBLY OF DOORS, HINGES, PUSH LOCKS AND STOPS

- 2.4** Align a hinge on the front of the furniture and fold it over the front of the furniture to match the marking previously made. Then screw in a 12 mm screw (hole in the middle of the hinge). Unscrew the hinge and repeat this operation to mark the hole for the second hinge, then unscrew the hinge.



- 2.5** The door equipped with its screwed hinges, screw the hinges onto the furniture using 12 mm screws, using the reference holes made in the previous step.



3 Installation of the stops

Close and lock the doors, then screw in the three 5mm locks inside the furniture as shown below with 12mm screws.

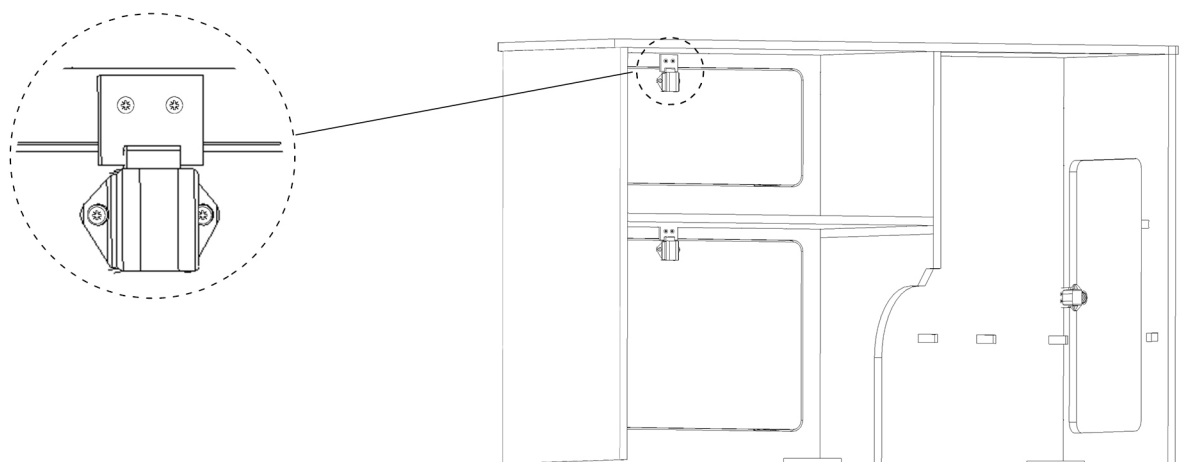




TABLE AND SUPPORT ASSEMBLY

- 1 Expand the table support and place it flush against the underside of the countertop. Ensure it is **positioned 4 cm from the furniture's edge**.



- 2 Lower the table lock and then **screw the support using 15mm screws**. Ensure that the table support remains **aligned with the edge** of the furniture during this operation.

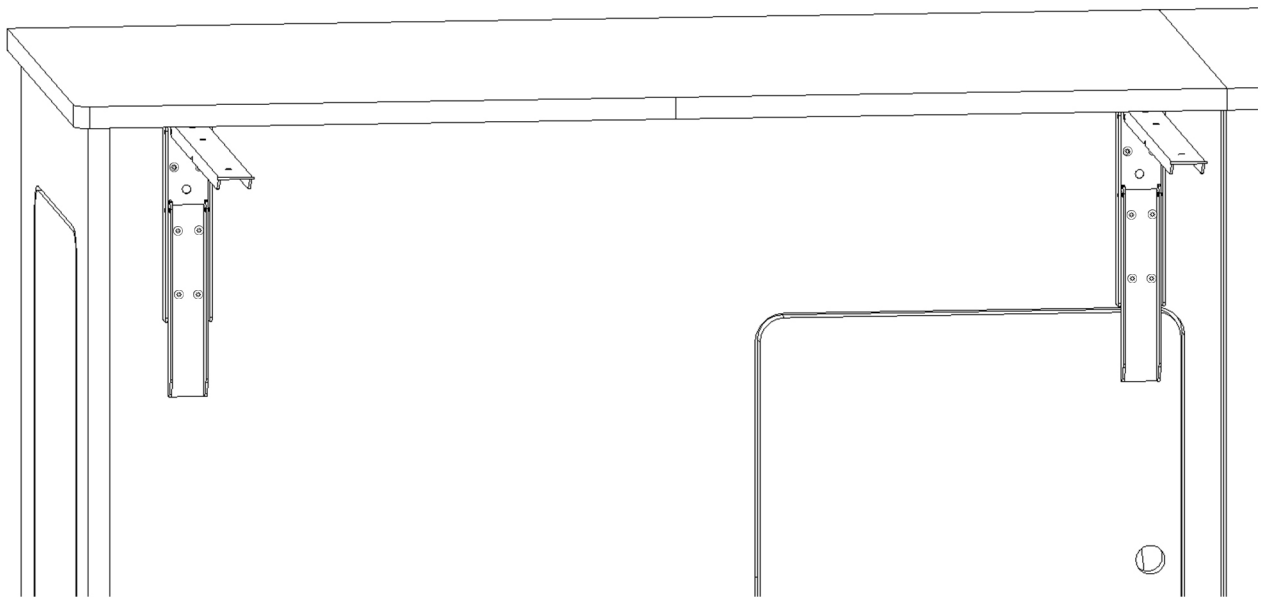
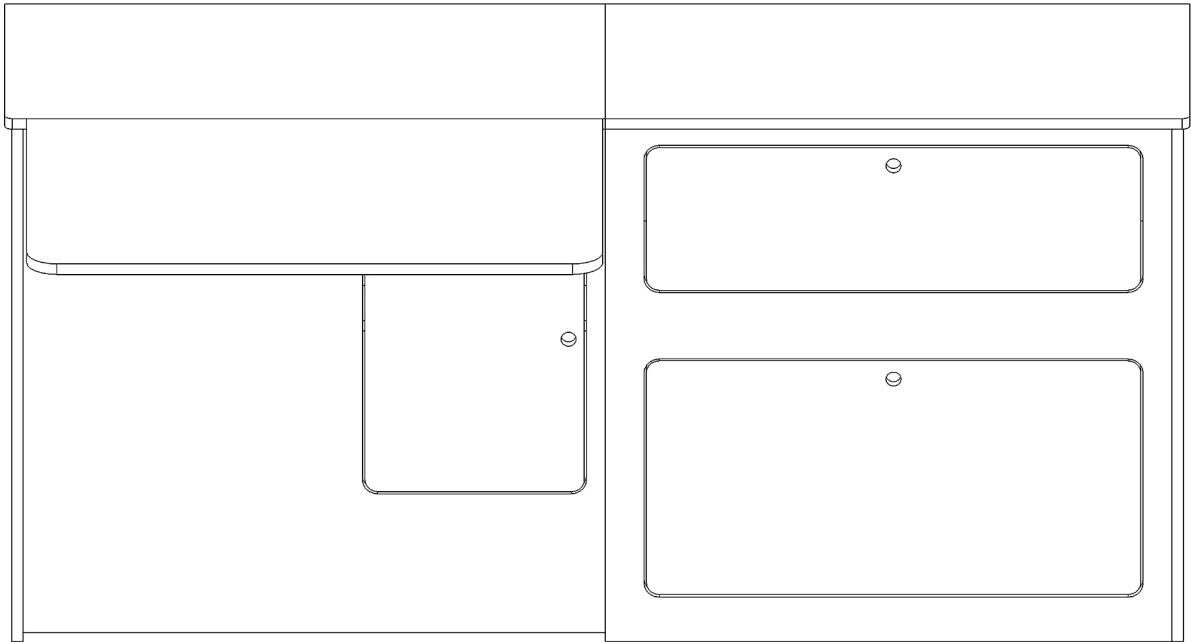


TABLE AND SUPPORT ASSEMBLY

- 3** Deploy the table supports and position the table on them. Ensure the table is centered to provide equal overhang on both sides in the folded position. The table surface must be co-planar with the worktop.



- 4** Screw the table in place using **15mm screws, 3 screws per side**. Ensure the table support is parallel to the edge of the table.

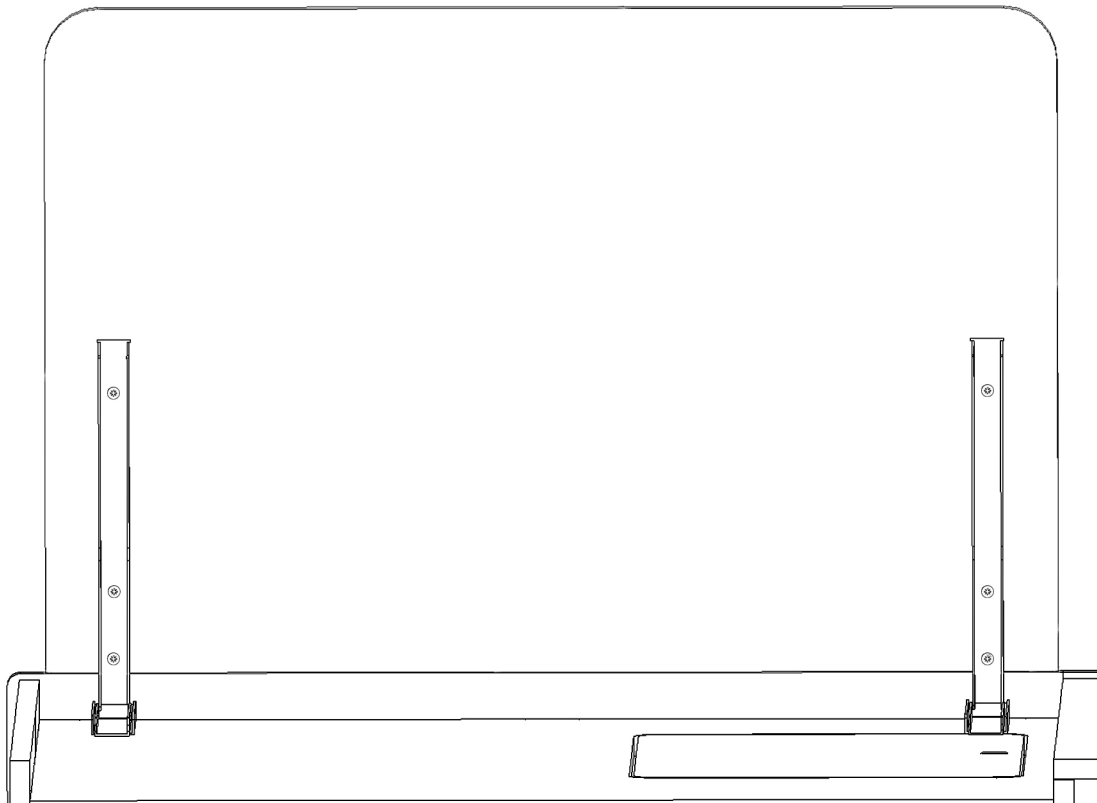


TABLE AND SUPPORT ASSEMBLY

- 5 Fold down the table and check that it is properly aligned and centered in its location.

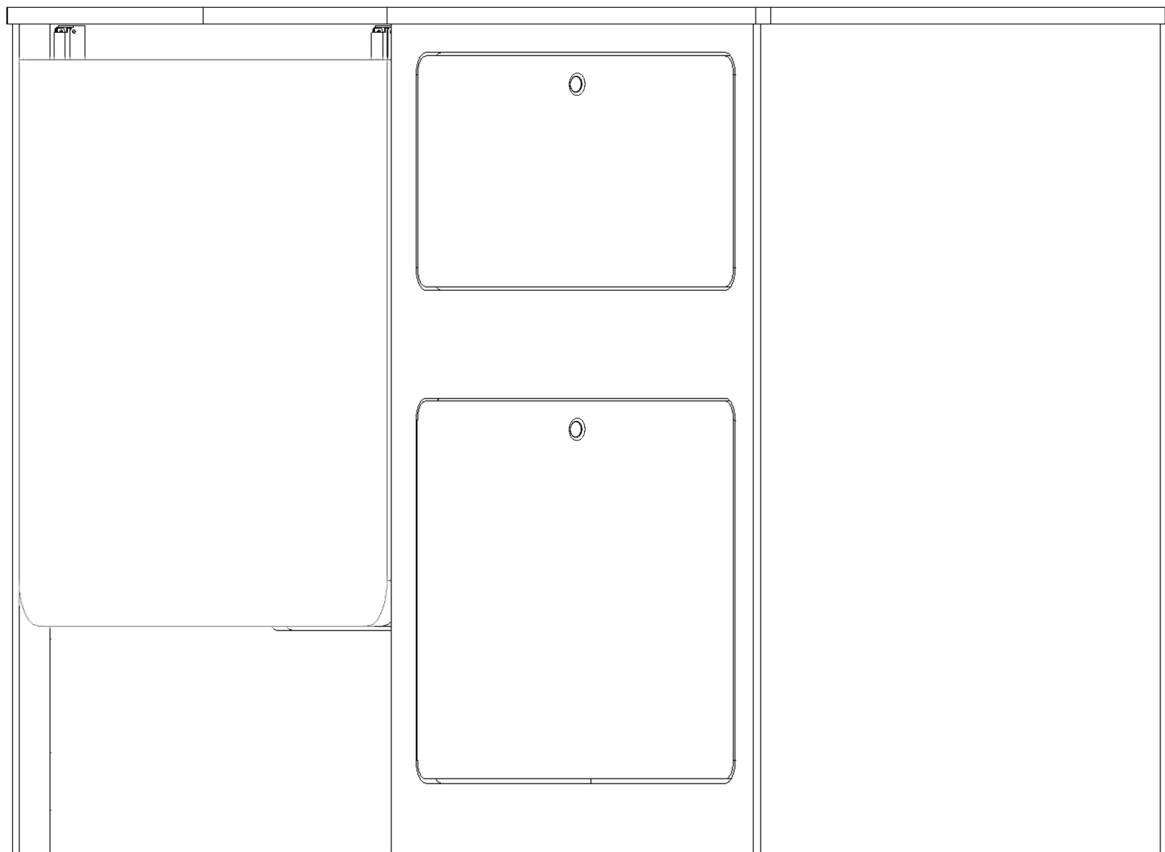
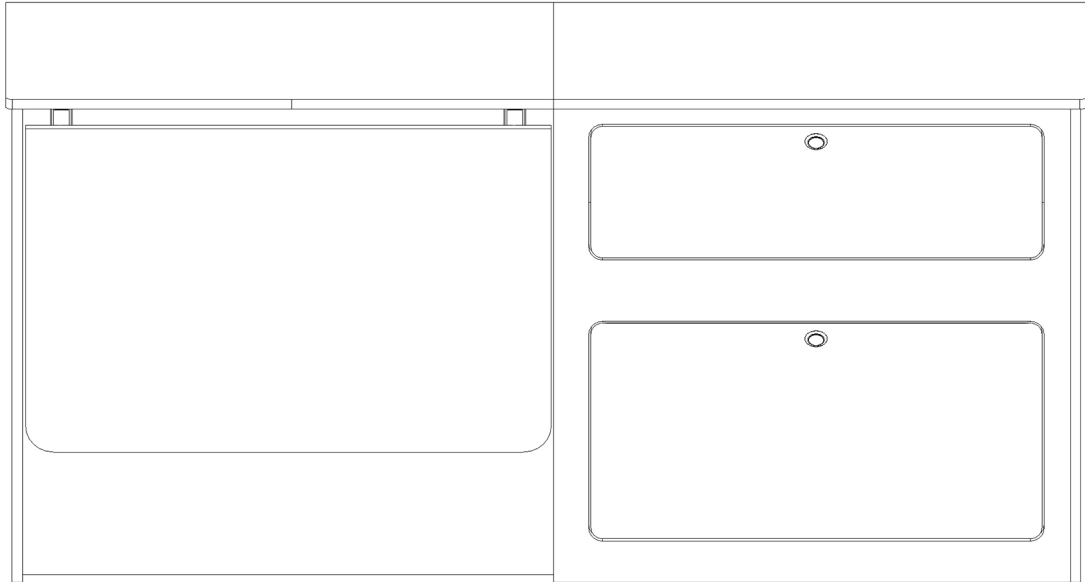
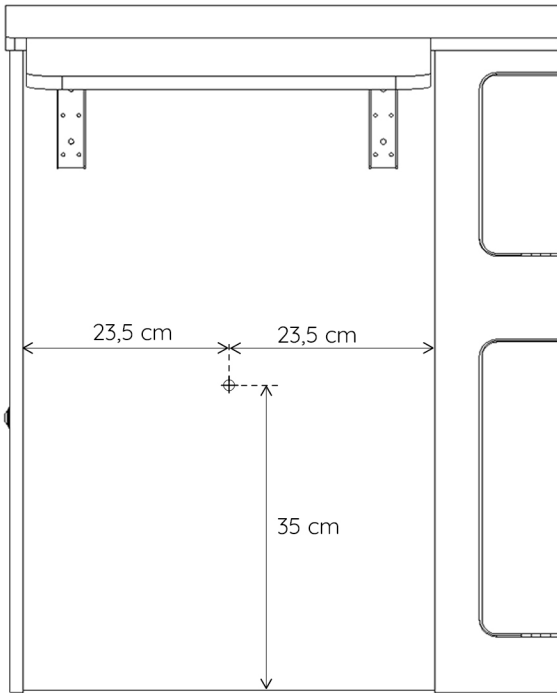


TABLE CLIP ASSEMBLY

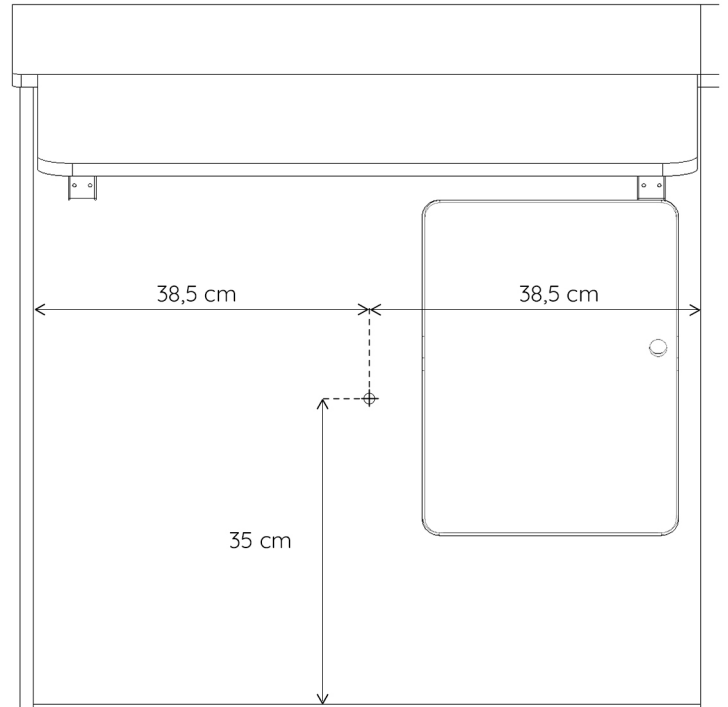
7 Installing the male clip

- 7.1** Mark a reference point 35 cm from the bottom of the cabinet, centered horizontally on the front panel that will receive the table (23.5 cm for cabinet A2 or 38.5 cm for cabinets A3/A4).

A2 UNIT



A3 & A4 UNIT



- 7.2** Screw the male clip onto the indicated mark using a 15 mm Phillips-head screw.

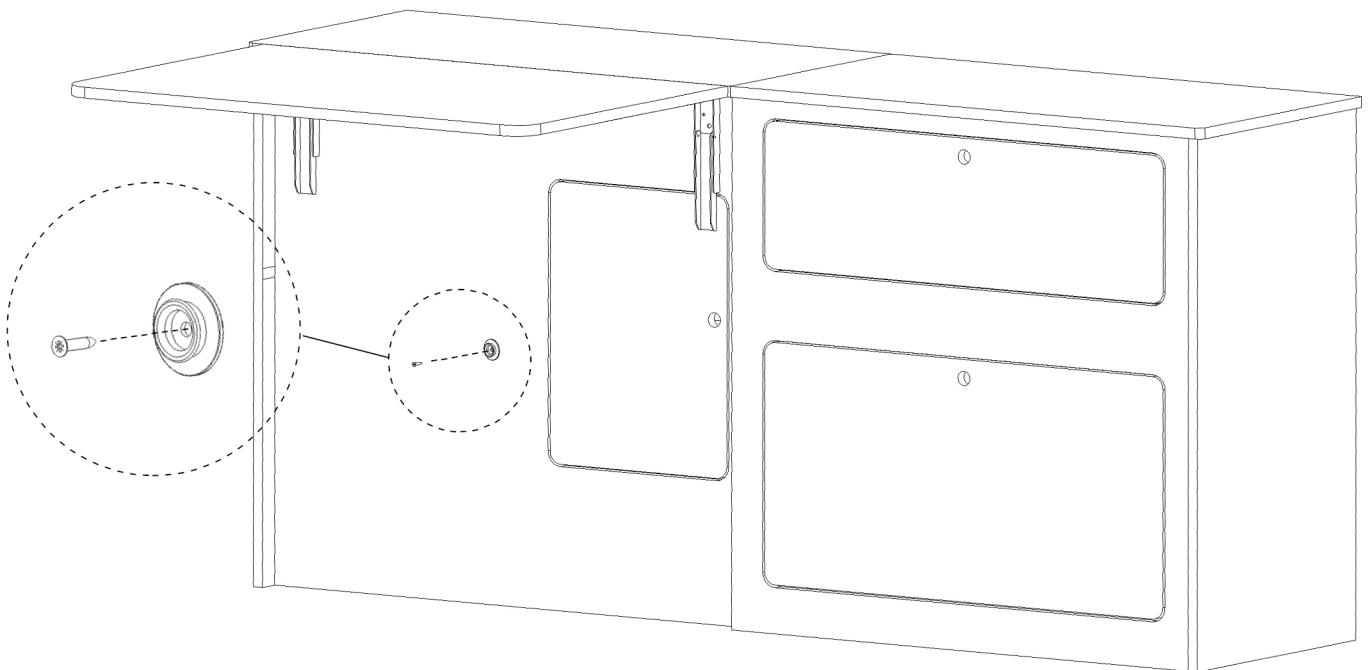
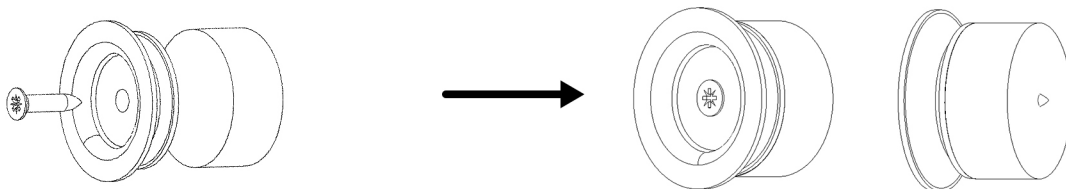


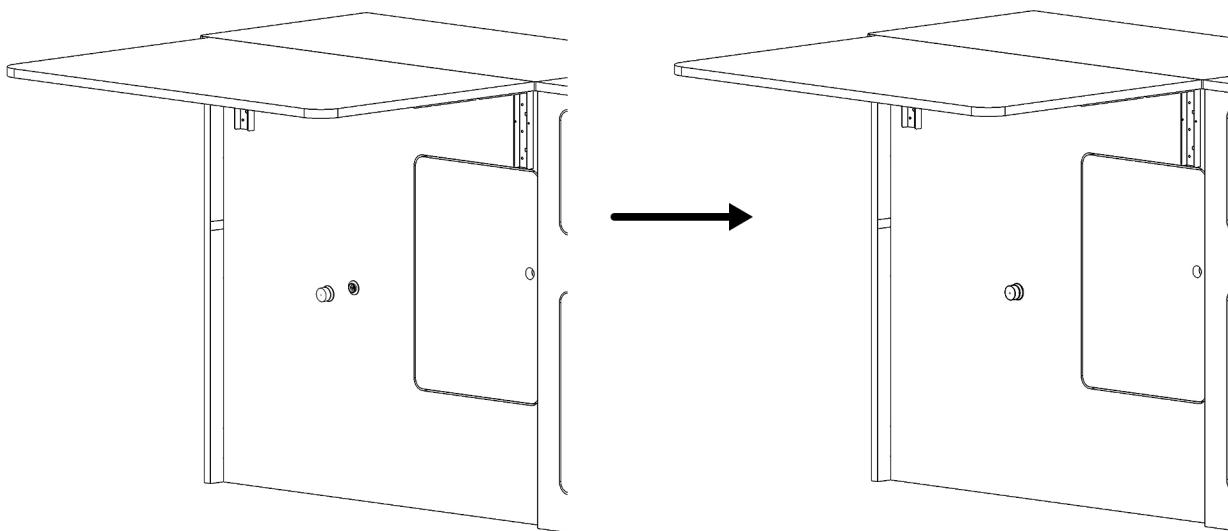
TABLE CLIP ASSEMBLY

8 Installing the female clip

- 8.1** Attach the female clip to the center of the wooden disk using a 15 mm screw.
Caution: the screw should only be used to mark the location. It will not be used to permanently fix the clip.



- 8.2** Interlock the male and female clips.



- 8.3** Fold down the table and ensure that the screw of the female clip has left a mark on the wood underneath the table.

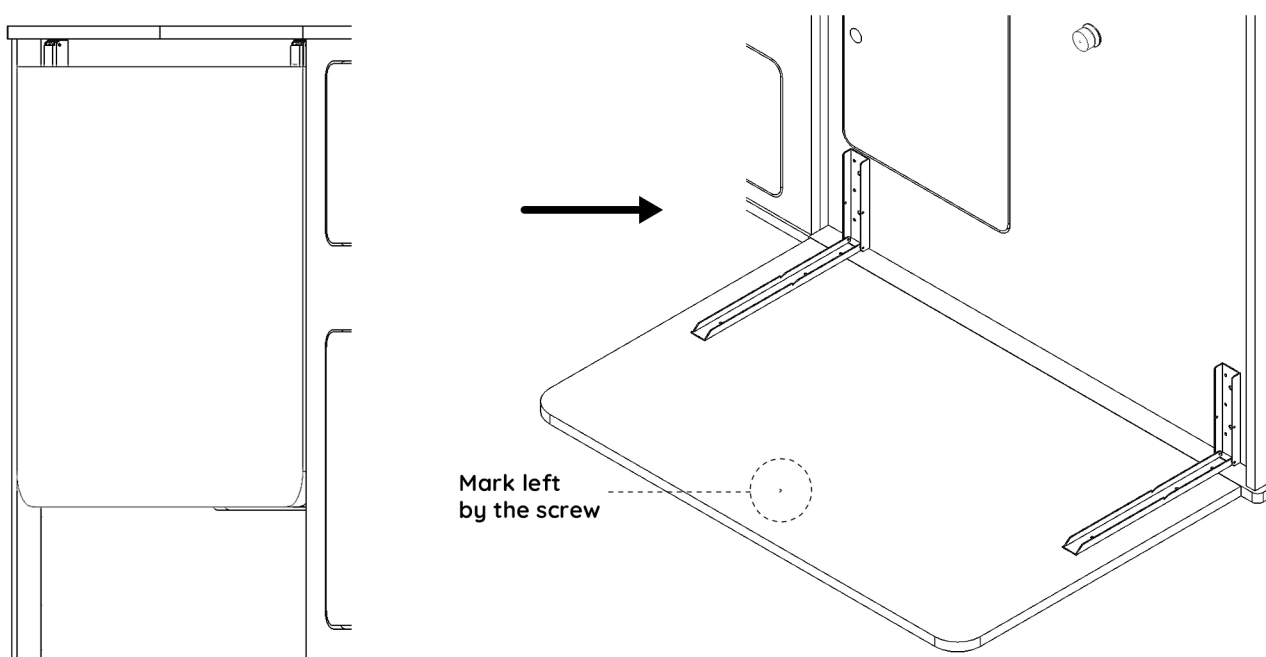
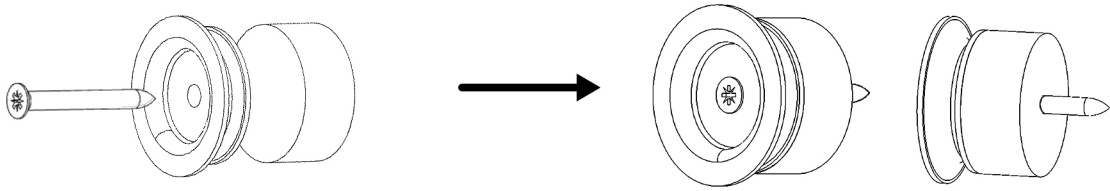
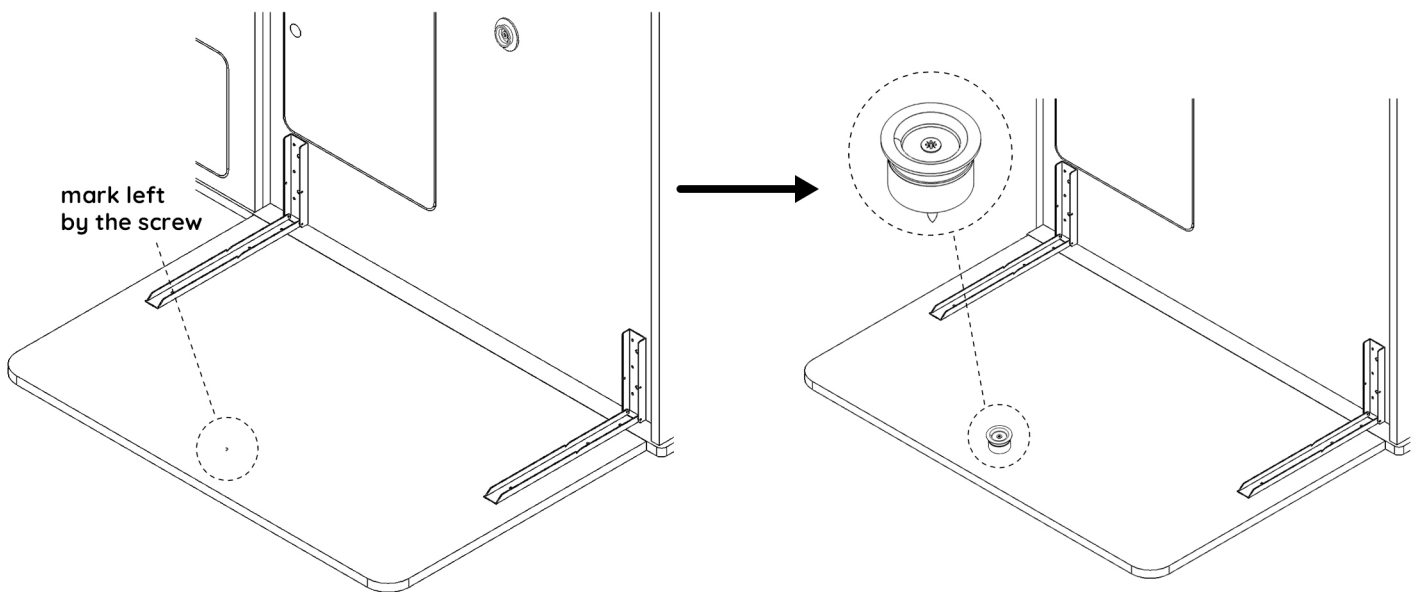


TABLE CLIP ASSEMBLY

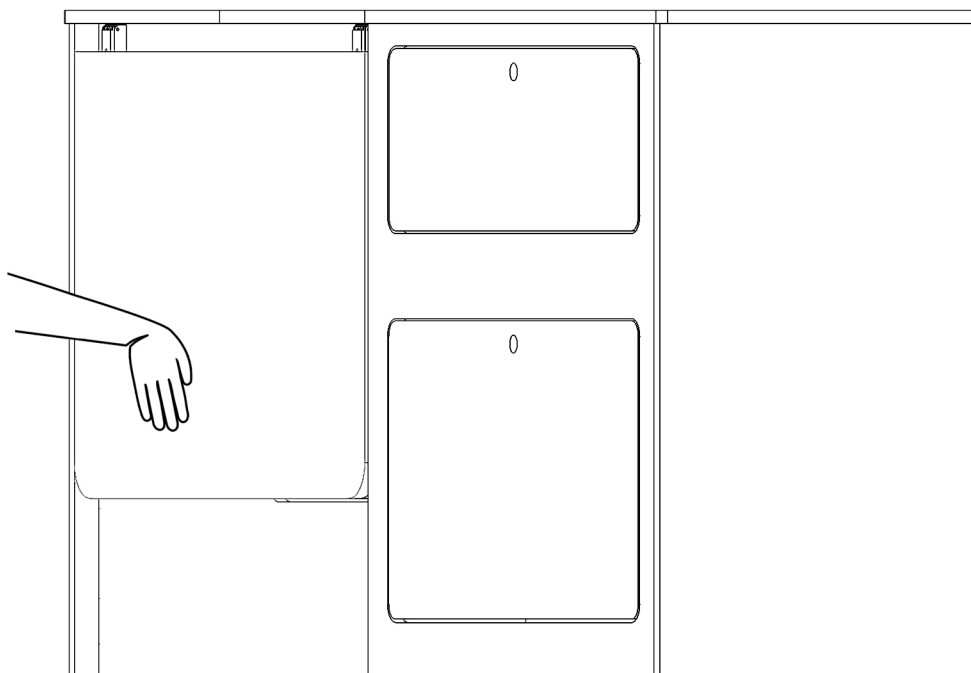
- 8.4** First, **release the female clip and remove the 15 mm screw**. Then, screw it on on the wooden circle with the 25 mm screw.



- 8.5** Screw the female clip and the wooden circle precisely onto the **mark** you made in step 8.3.



- 8.6** Verify that the table clips **securely** by applying gentle pressure to it.



HAPPY ASSEMBLY!

If you have any comments regarding the assembly,
you can let us know by email:
sav@simplevans.eu

**ALL
TUTORIALS
HERE**



SHARE YOUR EPIC VAN BUILD JOURNEY WITH US AND THE COMMUNITY!

#SimpleVansLife

**Snap some pics or record a video of your awesome furniture
installed and ready for adventure.**

We'll feature the best content on our social media channels,
and the most inspiring builds will win incredible prizes!

