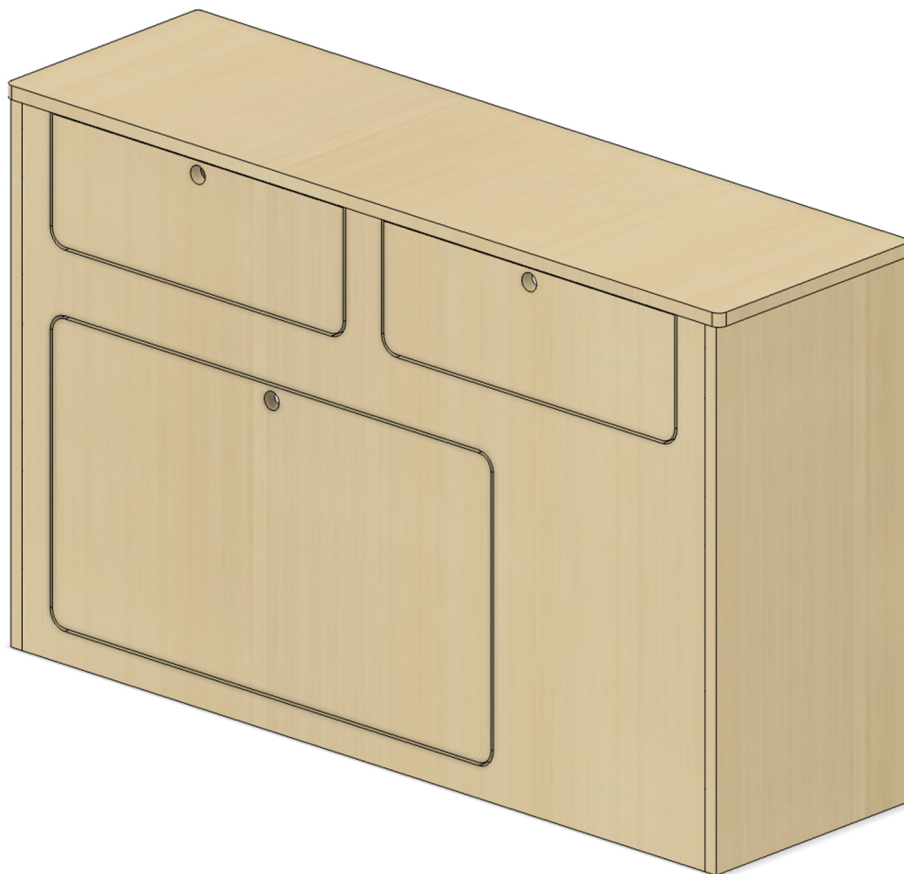


Assembly guide

A1 Unit



WELCOME ABOARD!

Let's assemble Your dream furniture and get you on the road.

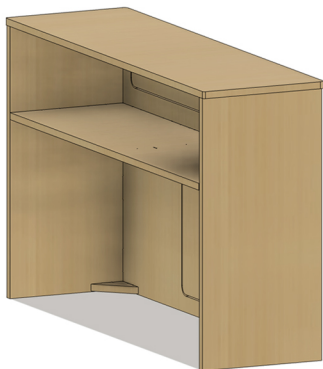
LET'S GO !

Furniture Variations



Note : our furniture comes in several versions depending on the vehicle model. This manual is based on a universal version of the furniture. The shape of some parts (especially in the rear part of the furniture) may change, but the assembly principle and the designation of the parts remain the same.

A11 UNIVERSAL



A12 VW CADDY



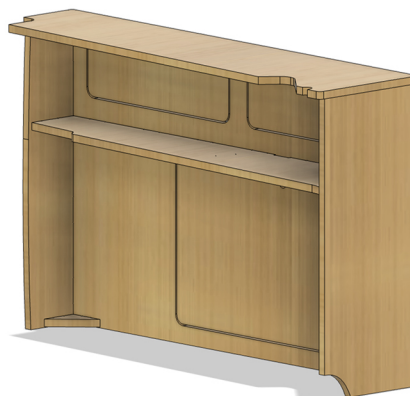
A13A KANGOO 2



A13B KANGOO 3



**A14A BERLINGO
/ PARTNER 2**



**A14B BERLINGO
/ PARTNER 3**



SHOW OFF YOUR SKILLS & INSPIRE THE VANLIFE COMMUNITY!

Share your build on Facebook, Instagram ou TikTok.

Use #SimpleVansLife :

Best content wins awesome prizes.



Materials required for assembly

- Masking tape
- Square (optional)
- PZ1 & PZ2 screwdriver
- Wood glue (slow-drying recommended)
- Damp cloth (or paper towel)
- Putty knife or ruler (for positioning hinges)
- Pencil (for marking hinge placement)

Package contents :



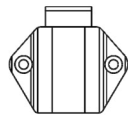
Screw PZ1 12 mm X **42**



Screw PZ2 15 mm X **16**



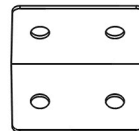
Screw PZ2 25 mm X **2**



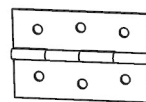
Mini lock
X **3**



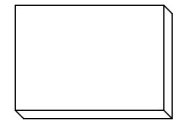
Push button
X **3**



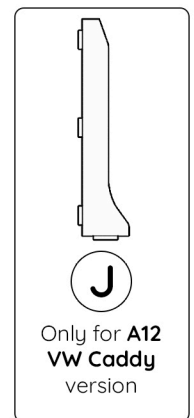
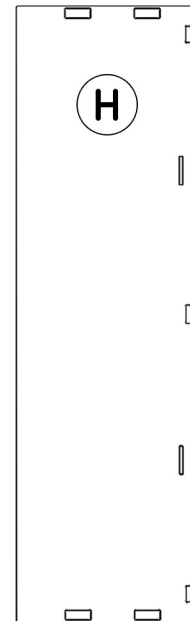
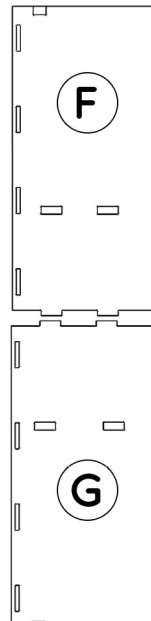
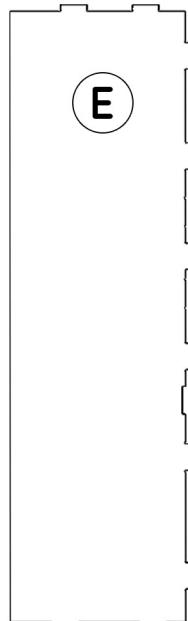
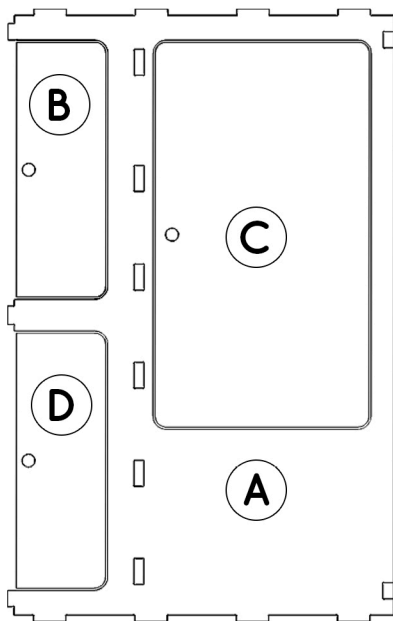
Metal bracket
X **4**



Hinge
X **6**



Wooden latch 5 mm
X **3**



Read before assembling the furniture

- Check for chips in the grooves
- Check that the parts are free of defects before gluing / or make a dry fitting
- Read the entire instructions carefully before final assembly with glue
- Wipe off excess glue with a damp cloth immediately after gluing each piece
- Make any cuts (if necessary) before gluing the furniture
- Protect the surrounding areas of the gluing areas with masking tape to reduce cleaning

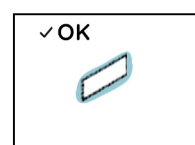
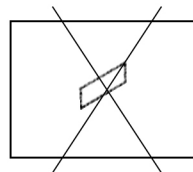
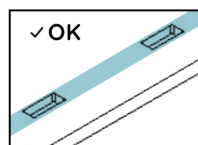
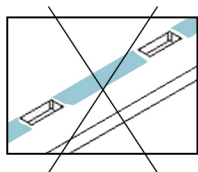
If you have a problem with a part or accessory, please contact us by email: sav@simplevans.eu



Apply a sufficient amount of glue to the contact surfaces and grooves.

The glue should **slightly protrude from the grooves when assembled.**

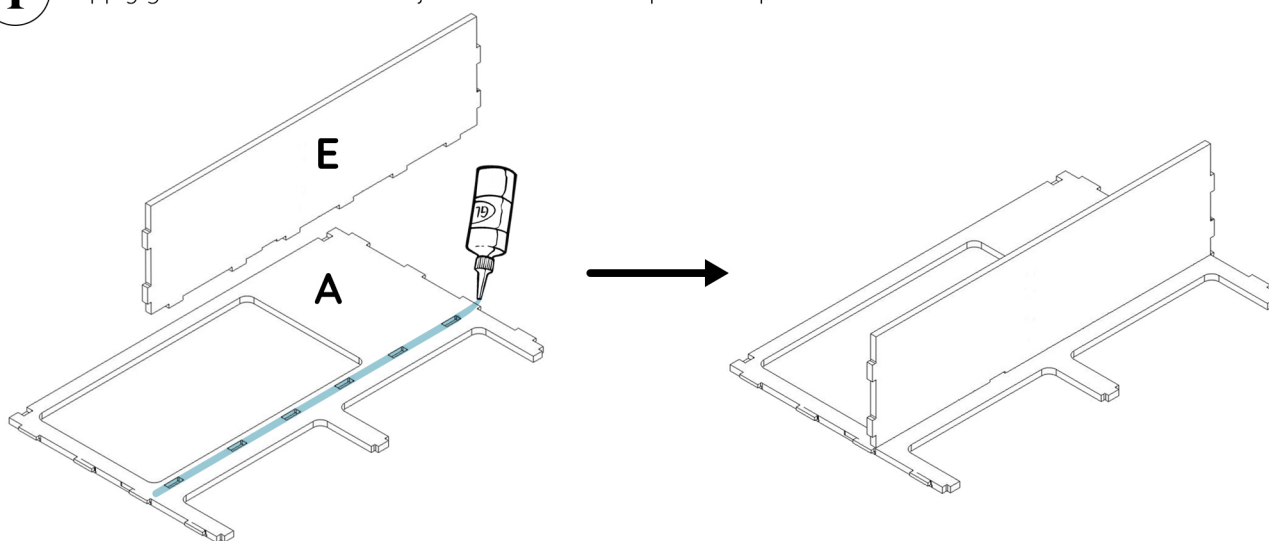
Wipe off excess glue with a damp cloth after assembly.



glue that slightly protrudes after assembly

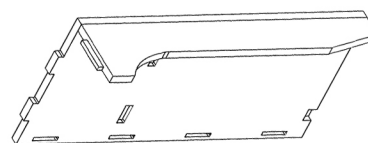
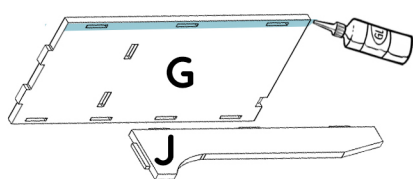
1

Apply glue to the notches and joints and assemble part **E** on part **A**.



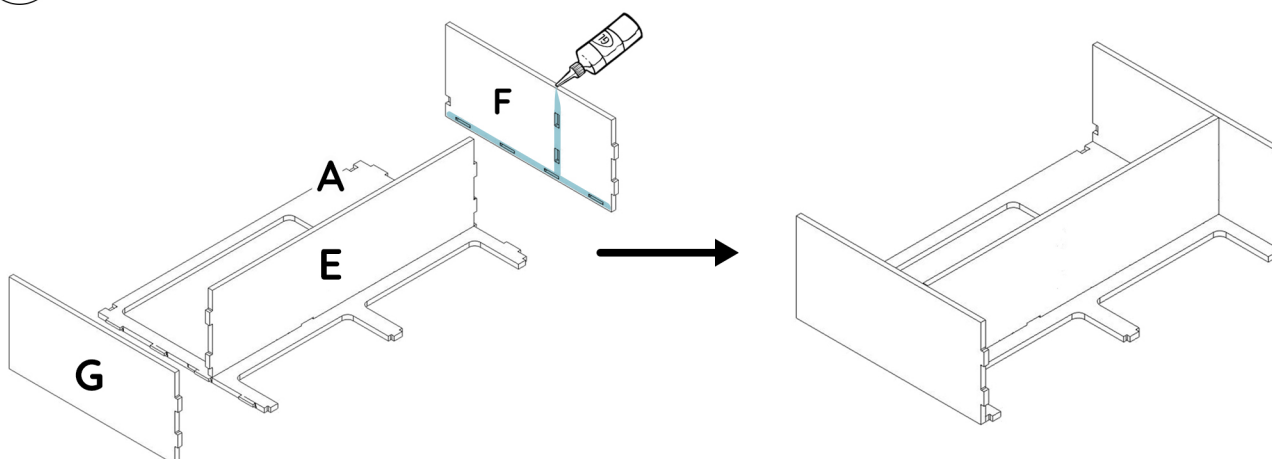
ONLY FOR THE A12 VW CADDY VERSION

Apply glue and assemble parts **J** and **G** before moving on to step 2.



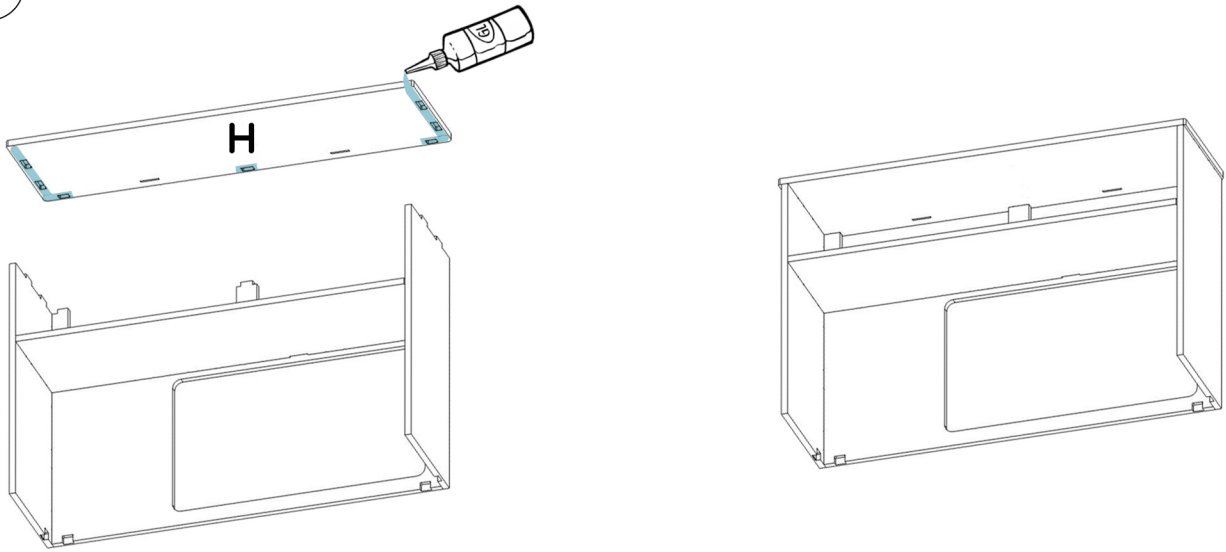
2

Apply glue to the notches and joints, then assemble parts **F** and **G** with part **A**.

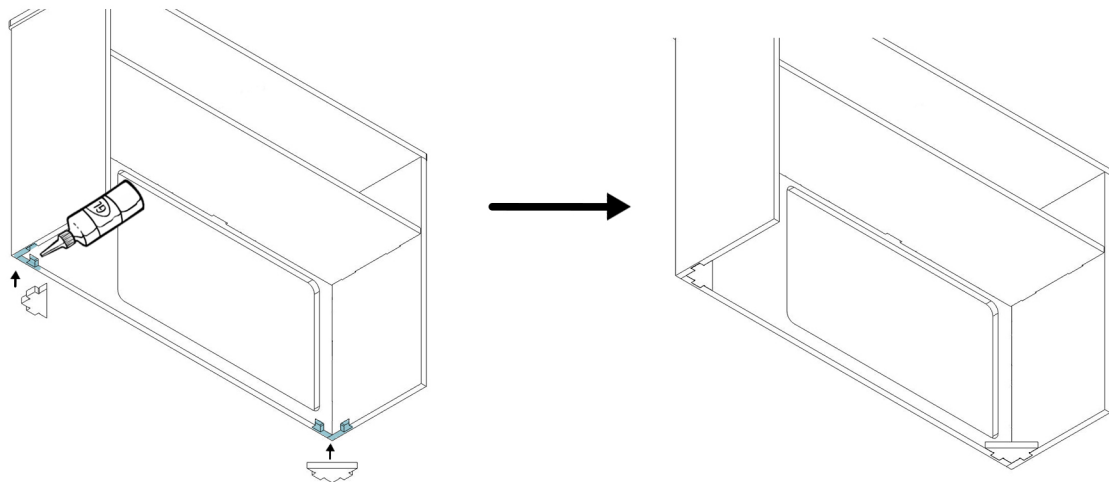


FURNITURE ASSEMBLY

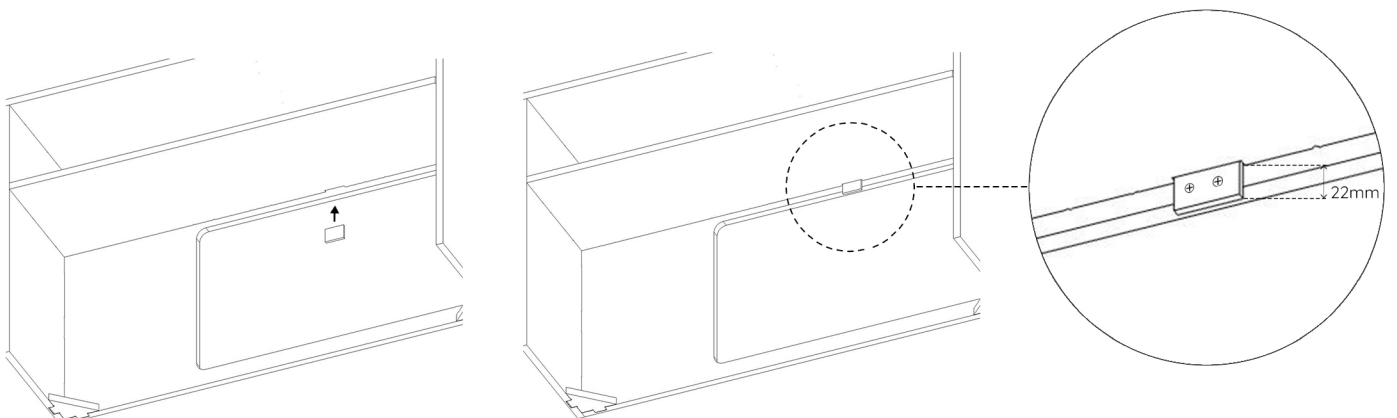
- 3 Apply glue to the notches and joints and assemble the **H** countertop.



- 4 Apply glue to the notches and joints and assemble the **I** triangles in the two bottom corners of the unit.



- 5 Slide the **5 mm latch** and screw it in place using 12 mm screws. It should protrude 22 mm.



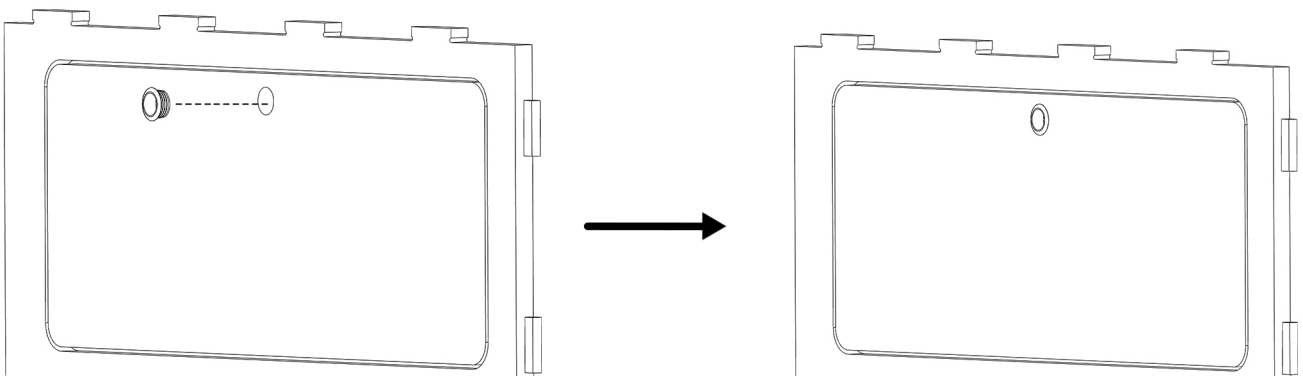
ASSEMBLY OF DOORS, HINGES, PUSH LOCKS AND STOPS

Door Installation Philosophy

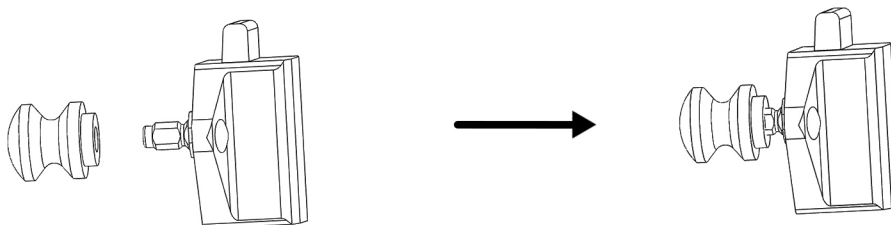
- 2 hinges per door
- Hinge placement: Position the hinges on the longer side opposite the push-lock location.
- Before screwing the push-lock and hinges, ensure they are installed on the correct side of the door panel, following the grain direction of the wood.

6 Installation of Push Locks

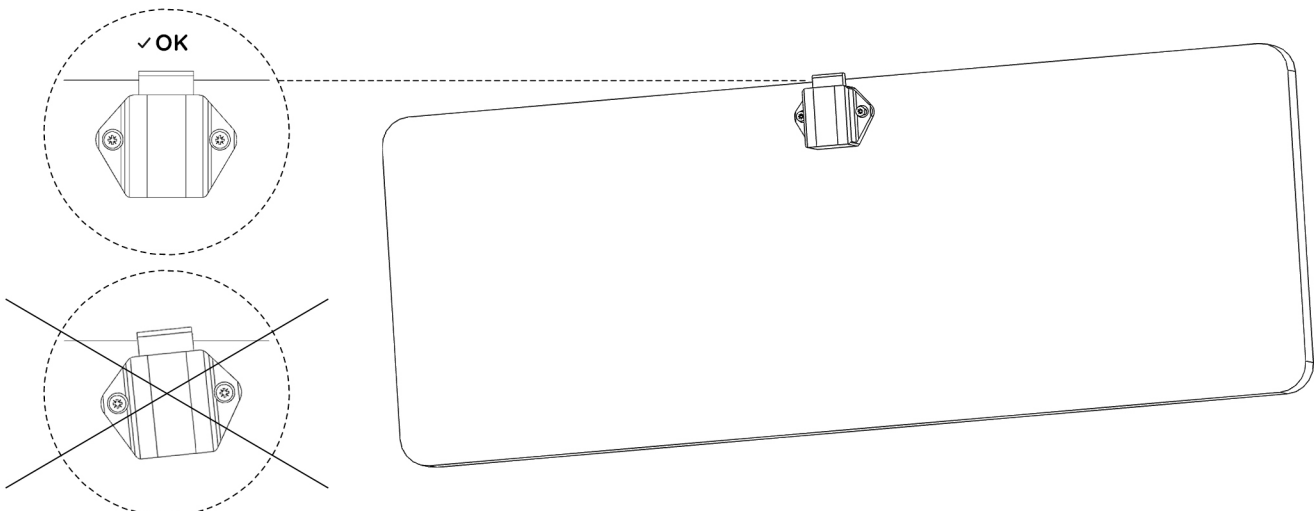
- 6.1** Force-fit the push lock rosette onto the visible side of the panel (paying close attention to the grain direction).



- 6.2** Screw the button onto the push lock.



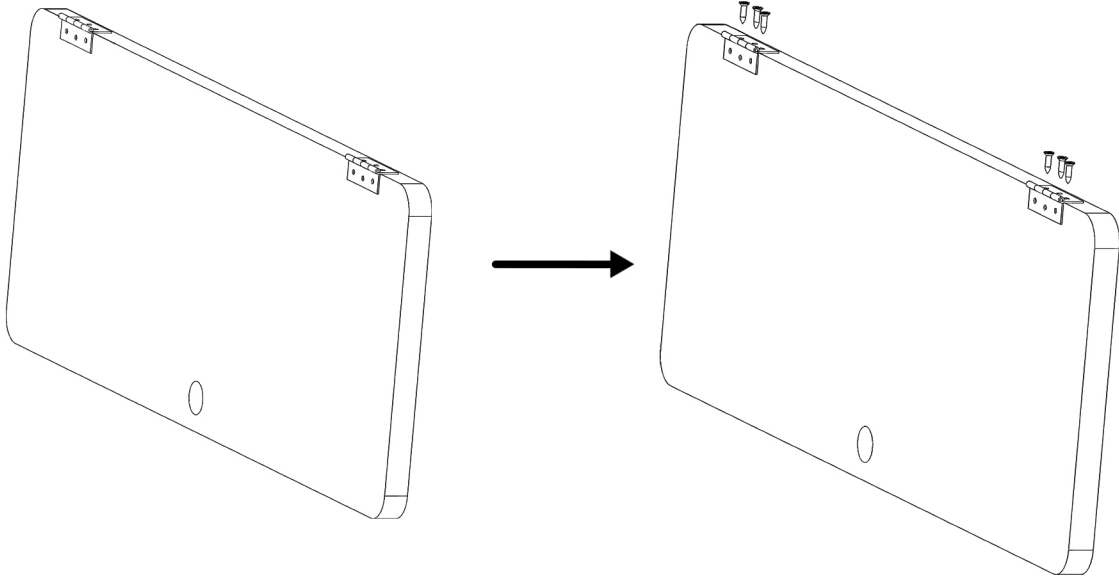
- 6.3** Screw the push lock with two 12mm screws. Ensure it is properly aligned with the top of the door.



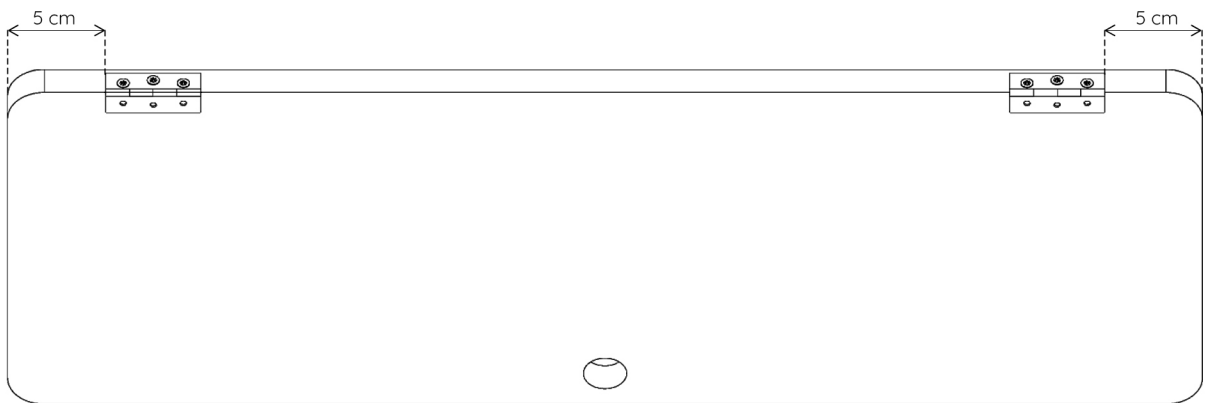
ASSEMBLY OF DOORS, HINGES, PUSH LOCKS AND STOPS

7 Installation of hinges

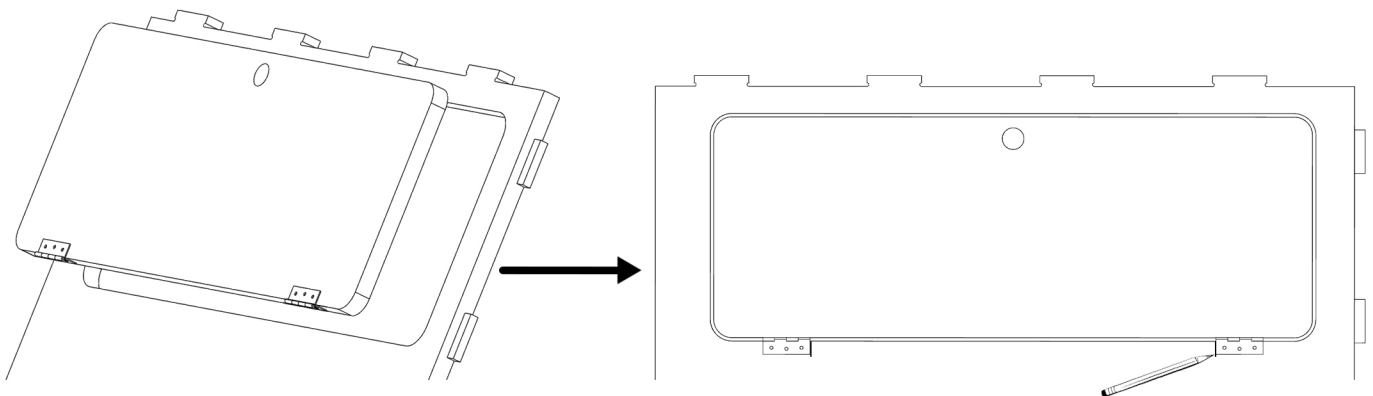
7.1 Position the hinges 5 cm from the edge of the door and fold the hinge onto the FRONT of the door.



7.2 Screw the hinges using 12 mm screws.

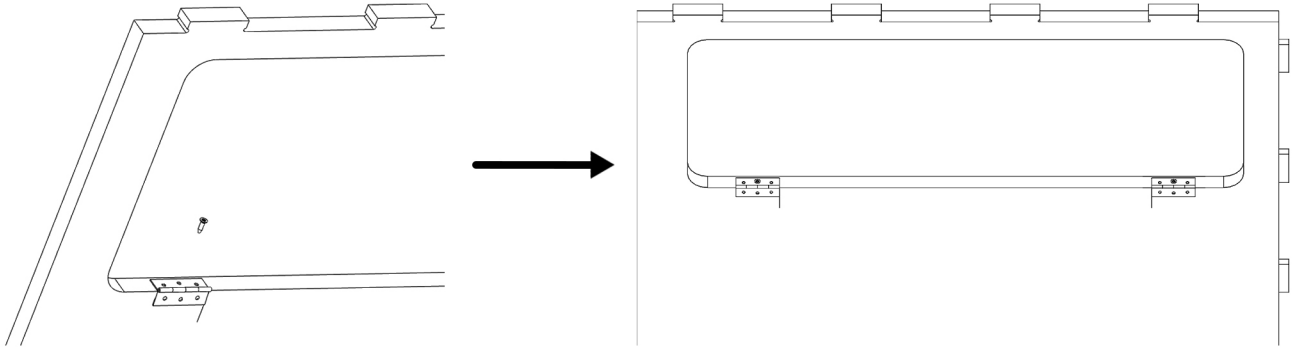


7.3 Position the door in its frame and center it, then fold down the hinge on the front of the furniture and make a slight mark using a wooden pencil or tape.

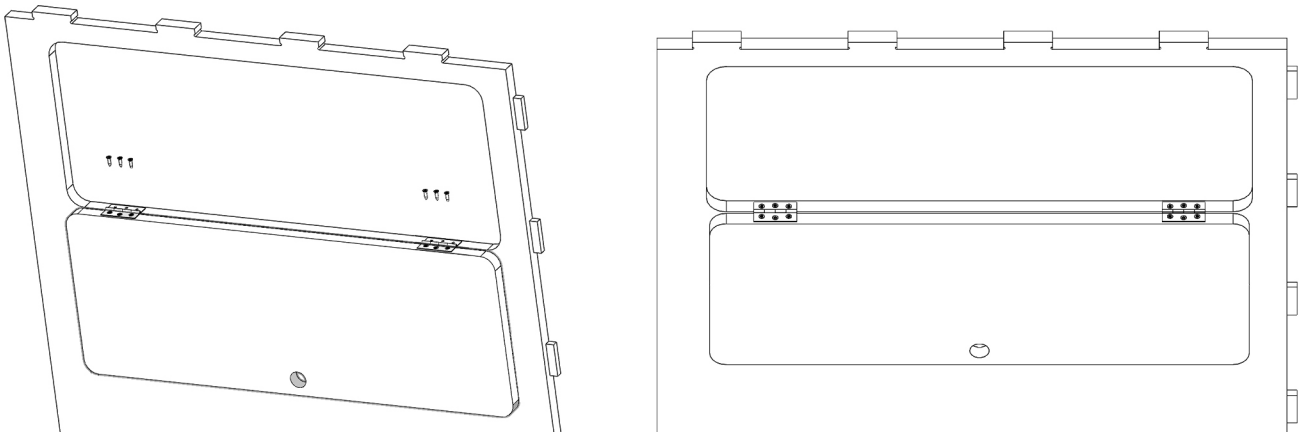


ASSEMBLY OF DOORS, HINGES, PUSH LOCKS AND STOPS

- 7.4** Align a hinge on the front of the furniture and fold it over the front of the furniture to match the marking previously made. Then screw in a 12 mm screw (hole in the middle of the hinge). Unscrew the hinge and repeat this operation to mark the hole for the second hinge, then unscrew the hinge.



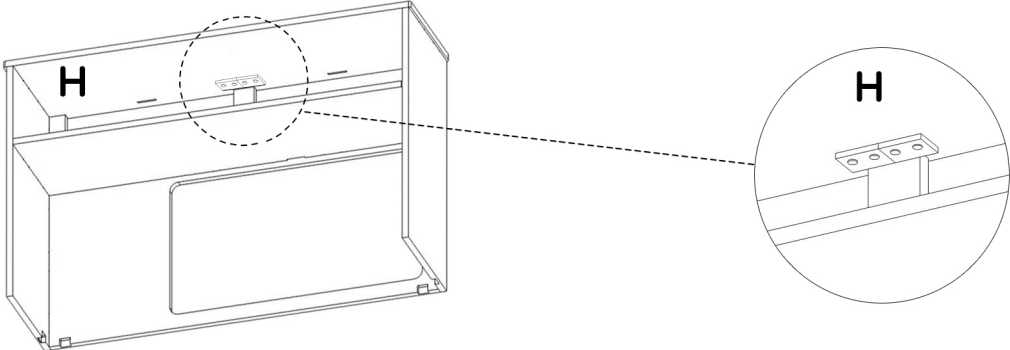
- 7.5** The door equipped with its screwed hinges, screw the hinges onto the furniture using 12 mm screws, using the reference holes made in the previous step.



ASSEMBLY OF DOORS, HINGES, PUSH LOCKS AND STOPS

7 Installing door stops

Close and lock the doors then screw the two 5 mm pieces supplied as below with 12 mm screws inside the cabinet.



HAPPY ASSEMBLY!

If you have any comments regarding the assembly,
you can let us know by email:
sav@simplevans.eu

**ALL
TUTORIALS
HERE**



SHARE YOUR EPIC VAN BUILD JOURNEY WITH US AND THE COMMUNITY!

#SimpleVansLife

**Snap some pics or record a video of your awesome furniture
installed and ready for adventure.**

We'll feature the best content on our social media channels,
and the most inspiring builds will win incredible prizes!

